

**1.9248.04.3.XX**

**NANOBAR 35mm HOB MIXER**

**INSTALLATION INSTRUCTIONS**

**Brodware**

IC19248043XX 62026072

## **IMPORTANT INFORMATION:**

- All tapware and plumbing must be tested for leaks and functionality before sheeting off / concealing the wall as per AS3500.
- Water pressure must not exceed 500kpa as per AS3500, or the product warranty will be void.
- Pressure difference between hot and cold must not exceed 150kpa.
- Ensure there is access to the hob area, as this mixer is supplied with flexi hoses. The mixer must be installed in a suitable location to service the flexi hoses.
- Install of hot and cold isolation taps in the hob area is required for servicing the mixer and their flexi hoses.
- If the mixer is being installed in a bath or spa hob, the hob area should be waterproofed and drainage installed in case of a leak. It should be treated as a wet area, as these mixers are supplied with flexi hoses.
- Ensure the supplied flexi hoses are fitted to the correct ports on the body. Failure to do so will cause the mixer to incorrectly operate.
- Refer to our website for general care and cleaning of special finishes.

### **ROUGH IN PROCESS**

1. Ensure there is access under the hob area, as this mixer is supplied with flexi hoses. The mixer must be installed in a suitable location to service the flexi hoses.
2. Create a Ø41mm – 44mm hole in the hob, at the installation position where the mixer is to be installed.
3. Install hot and cold isolation taps in the hob area.

### **FINAL FIT OFF PROCESS**

1. Flush water lines, and ensure they are free of debris.
2. Unscrew the fixing ring from the bottom of the mixer, and slide off the washer.
3. Screw the flexi hoses into the bottom of the mixer as indicated in FIG.B. Please take note of the mixer hose configuration. Getting the hose configuration wrong will cause the mixer to incorrectly operate. Hand tighten the hoses into the body, ensuring that the o-rings have seated into their hole, and it has created a water tight seal.

PLEASE NOTE: 2x cold and 1x hot flexi hoses are supplied with this mixer. Please use one of the cold hoses as the “mixed / outlet” flexi hose.

4. Insert the mixer and flexi hose assembly into the hole from the top side, until the mixer flange is sitting flush with the hob deck.
5. From the underside, slide the washer onto the body and screw the fixing ring back on.
6. Position the body so that the handle will be fully functional (FIG.C). Using a Philips head screw driver, evenly tighten the 3x fixing screws until the washer is pressing hard to the underside of the hob deck. Adjust the fixing ring to suit your installation.
7. From the top side of the hob deck, check that the mixer has been installed firmly, and that there is no movement in the body.
8. Connect the hot and cold flexi hoses to the isolation taps. Connect the mixed flexi hose to your outlet.
9. Turn on isolation taps. Test for leaks and correct operation.
10. If the mixer is not operating properly, please re-check that the hoses are connected to the correct ports on the bottom of the mixer.

### **SERVICING**

Refer to FIG.A for cartridge removal process. A replacement mixer cartridge (part number 1.9902.CD.0.00) can be ordered from our website [www.brodware.com](http://www.brodware.com)

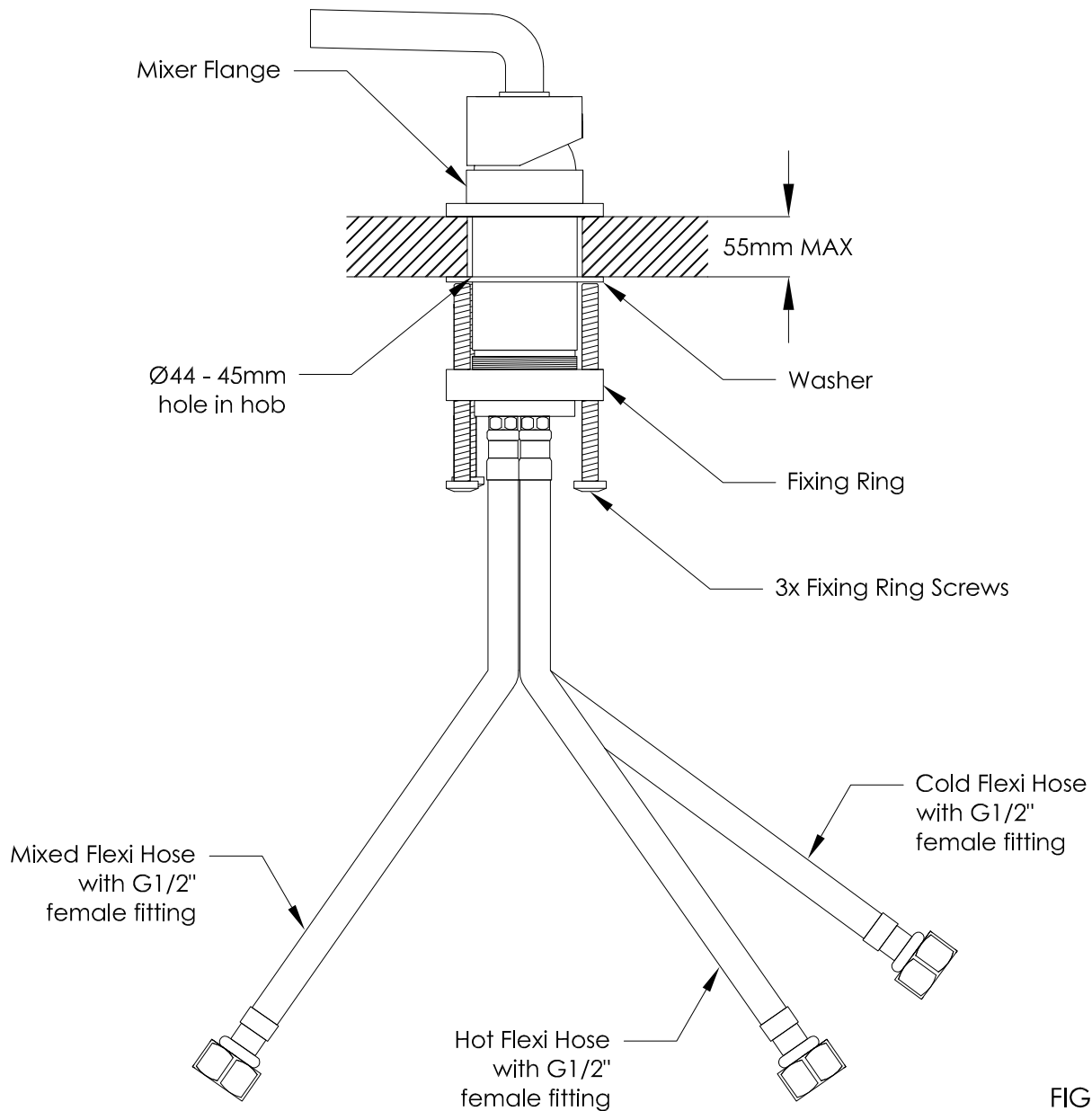


FIG. A

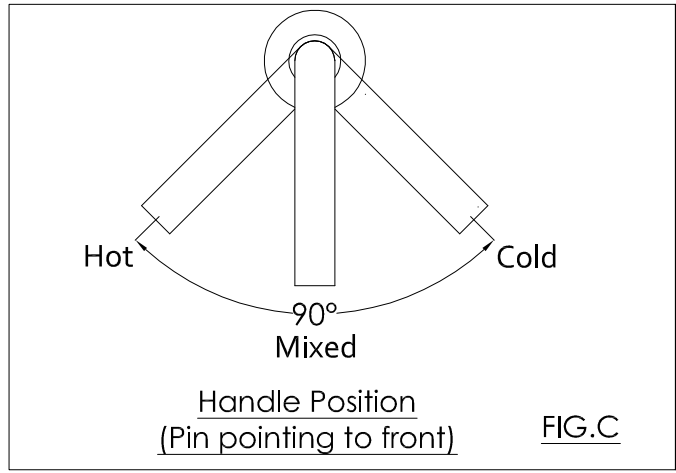


FIG.C

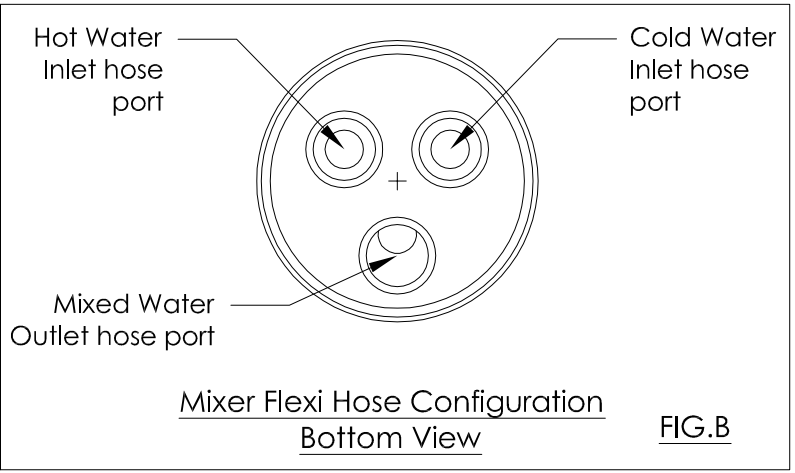


FIG.B