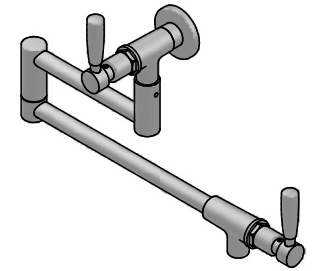


# Brodware

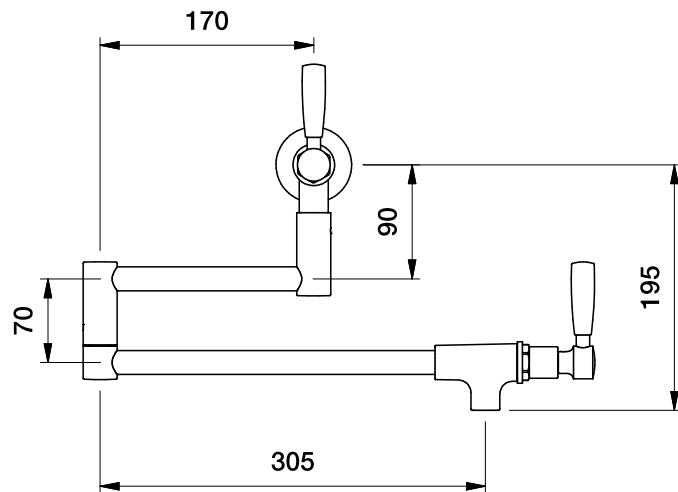
## MANHATTAN POT FILLER

1.9127.03.0.XX

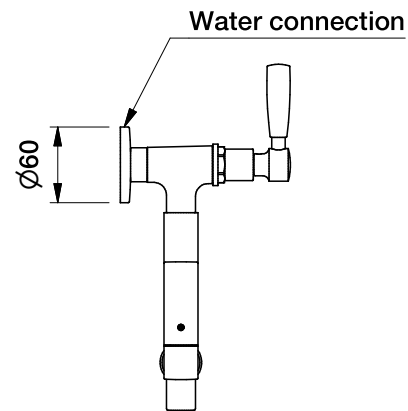


### DIMENSIONS

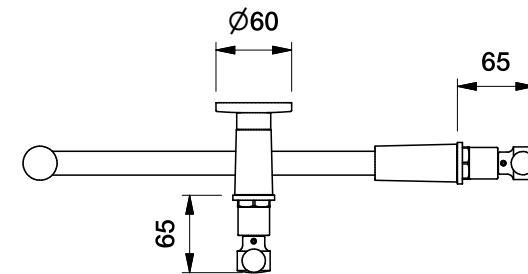
Front view:



Side view:



Top view:



Note:

- Contact your installer regarding installation location.
- 1/2" BSP male thread water connection point required in wall.
- Cold, hot or warm water must be set up with the plumbing before reaching the water connection point ( there is no temperature controls on the pot filler).
- The water connection point should be positioned at an adequate height in relation to the pot filler dimensions and the tallest pot on the stove top.

XX suffix indicates finish - **see website for colour code**

Dimensions subject to change without notice

All dimensions are approximate

Copyright © Brodware 2020

**B.**