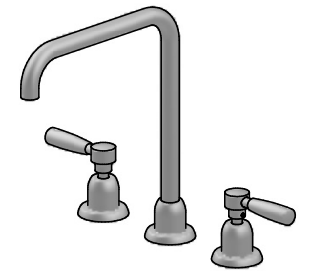


Brodware

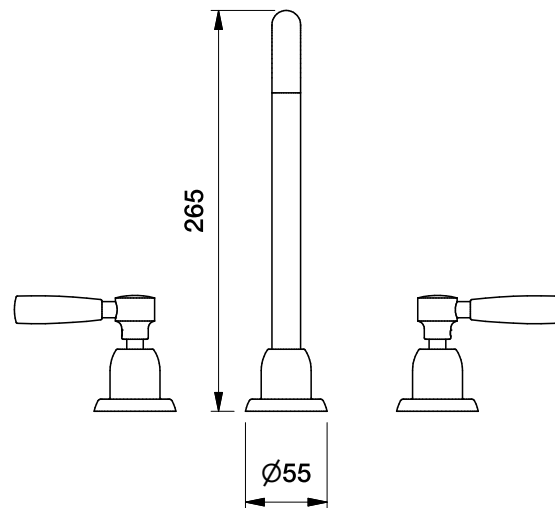
MANHATTAN KITCHEN SET

1.9107.89.3.XX

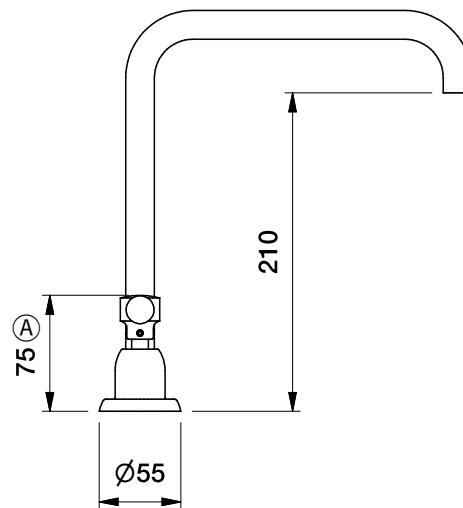


DIMENSIONS

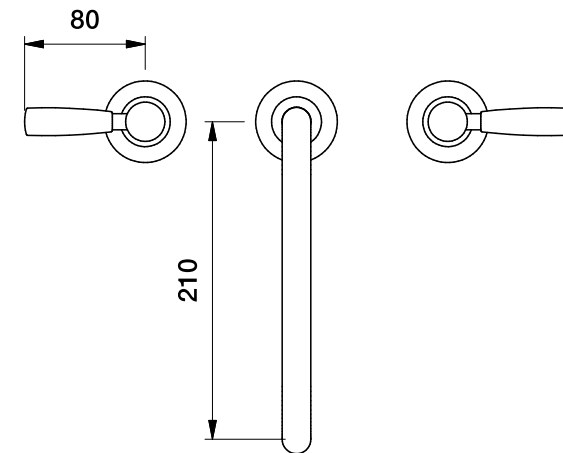
Front view:



Side view:



Top view:



XX suffix indicates finish - **see website for colour code**

Dimensions subject to change without notice

All dimensions are approximate

Copyright © Brodware 2020

B.