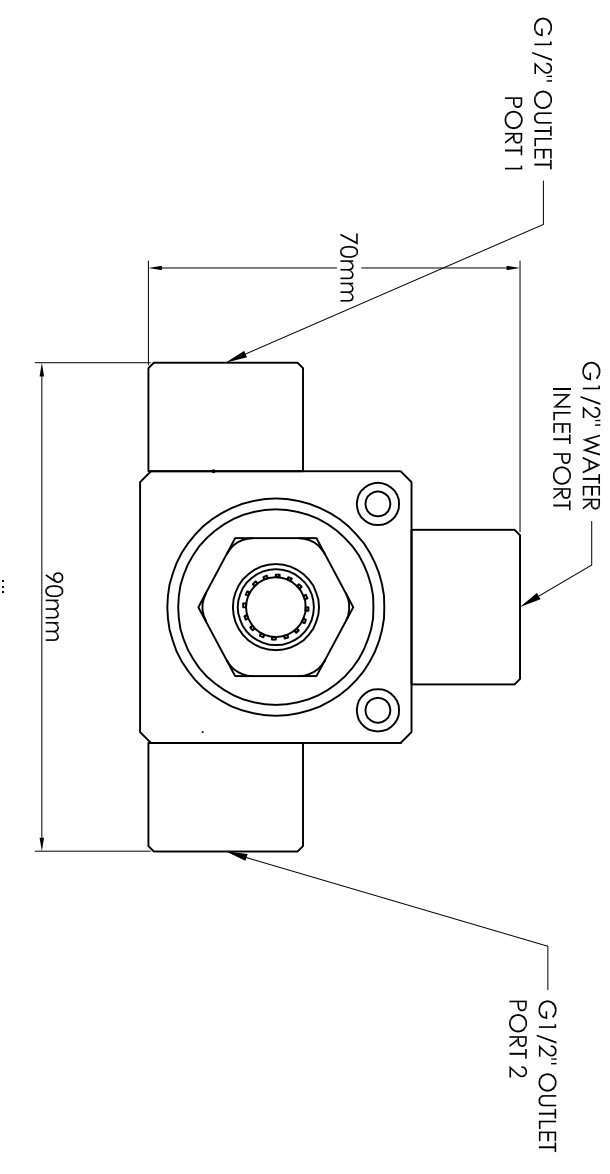
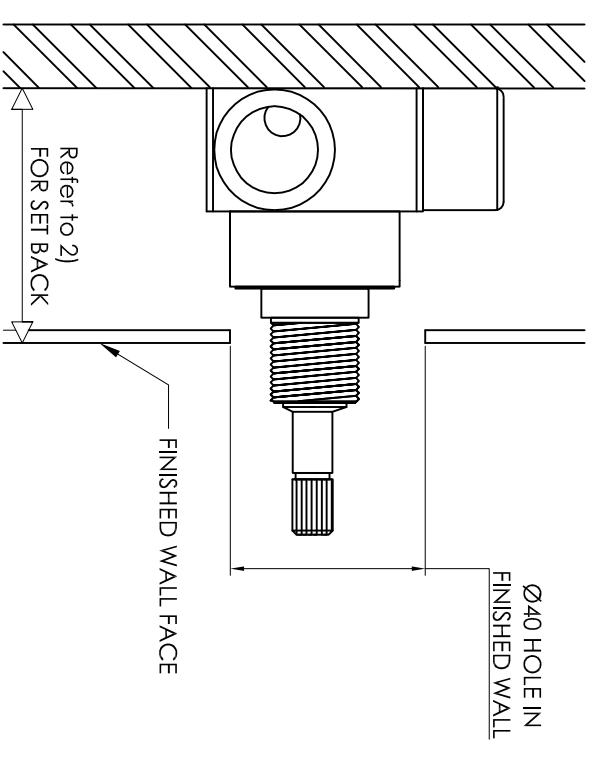


Brodware

1.XX41.00 In-Wall 2 Way Diverter

Installation Instructions

- 1) Screw down the body to a secure fixture or noggling in the wall.
- 2) Rough in dimensions - from back of body to finished wall face
 - Minim Model - 1,9441.00.0.XX - 58mm to 64mm
 - All other models - 44mm - 55mm
- 3) When the handle has been fully rotated clock-wise, water will come out from Port 1. With the handle fully rotated anti-clockwise, water will come out from Port 2.
- 4) Check for leaks and functionality before sheeting / concealing the wall.



Note for installer

- This unit must be installed and tested as per AS3500
 - Running water pressure must not exceed 500kps.
- If water pressure exceeds 500kps, a pressure limiting device must be installed.