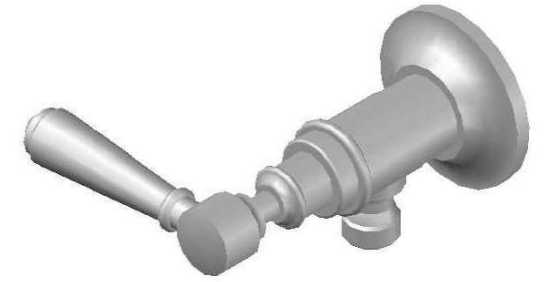


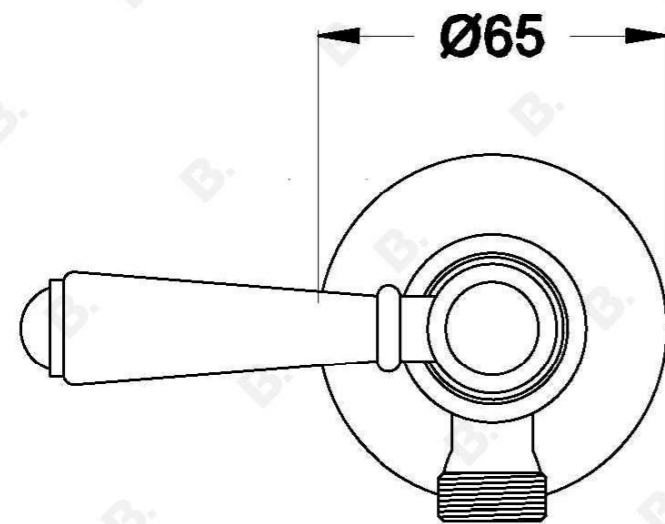
NEU ENGLAND CISTERN TAP WITH METAL LEVER

1.8045.00.3.XX

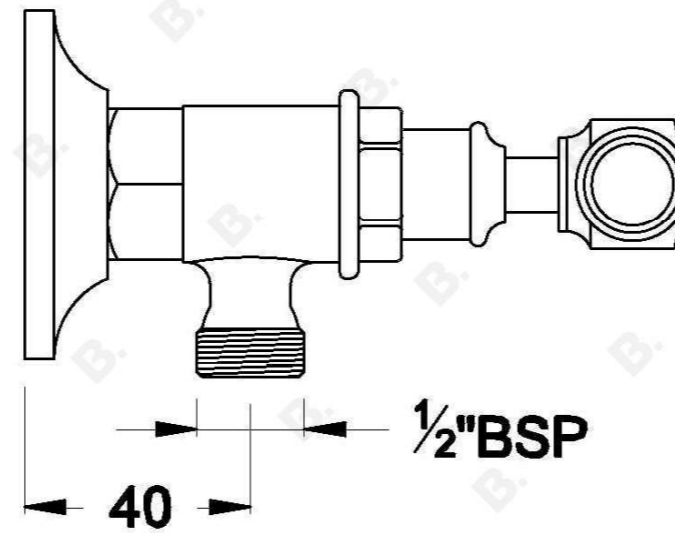


PRODUCT DIMENSIONS:

Front view:



Side view:



Top view:

