

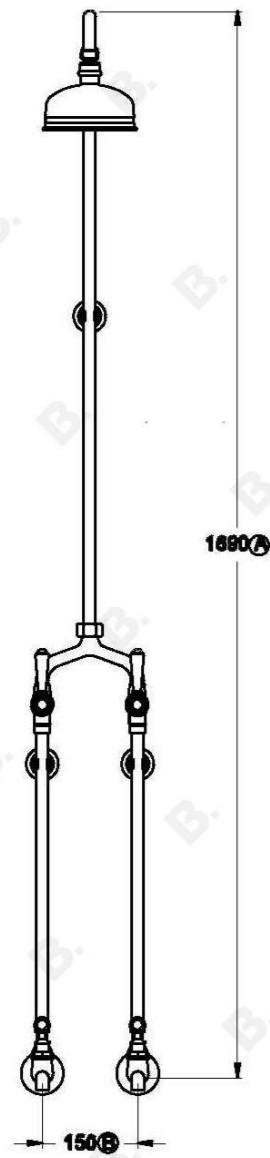
NEU ENGLAND SHOWER SET WITH METAL LEVERS

1.8017.00.3.XX

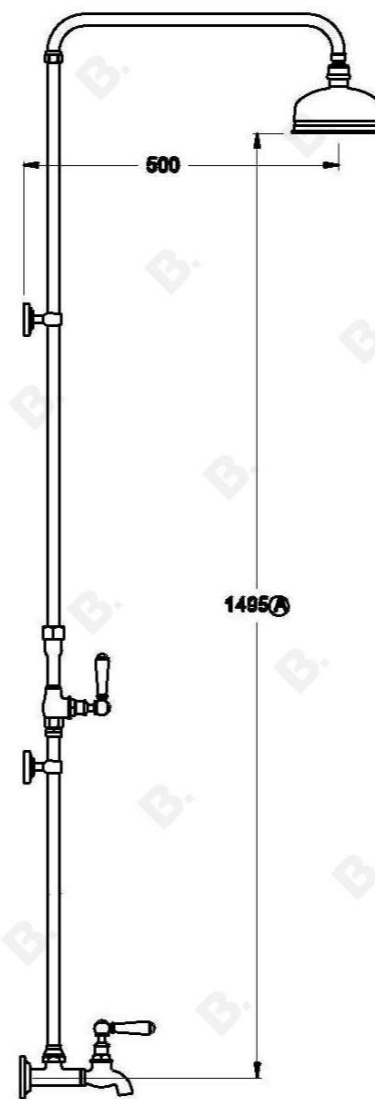


PRODUCT DIMENSIONS:

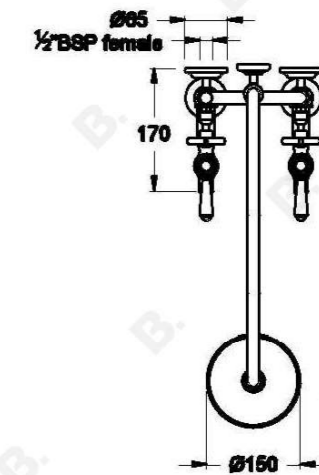
Front view:



Side view:



Top view:



Note: G $\frac{1}{2}$ " BSP male fittings required in the wall

XX suffix indicated finish
Dimensions subject to change without notice
All dimensions are approximate
B Fixed centre; taps must have 150mm centres
A Maximum, adjustable; can be reduced at installation
Copyright © Brodware 2020