

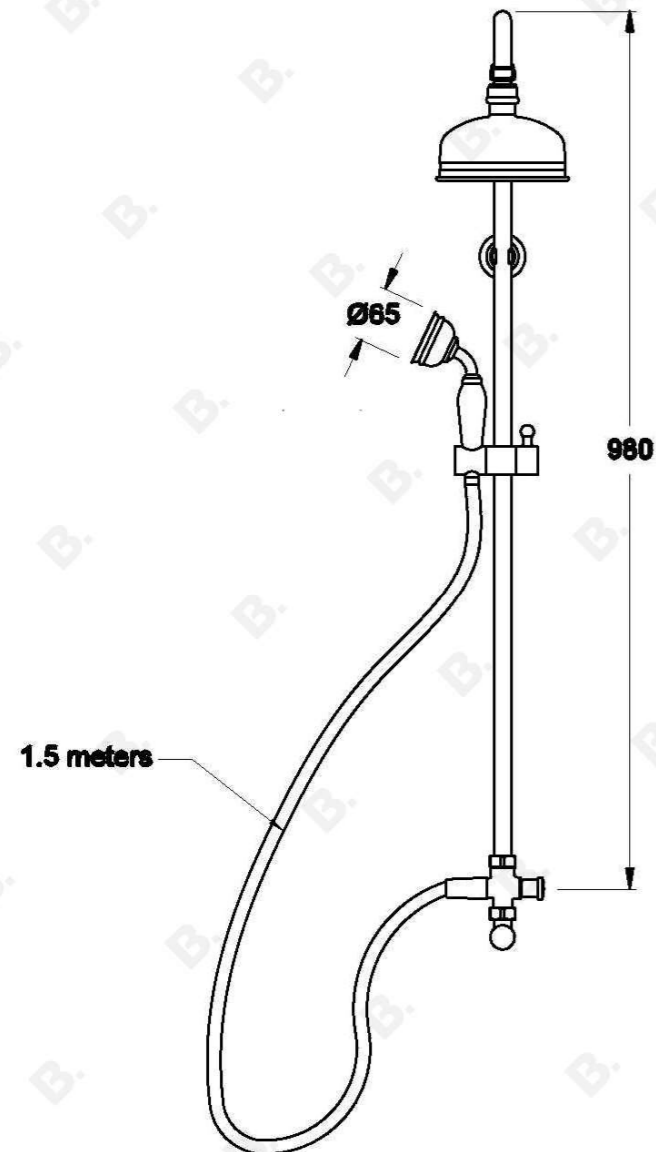
## NEU ENGLAND EXPOSED SHOWER WITH HANDSHOWER AND DIVERTER

1.8023.03.0.XX

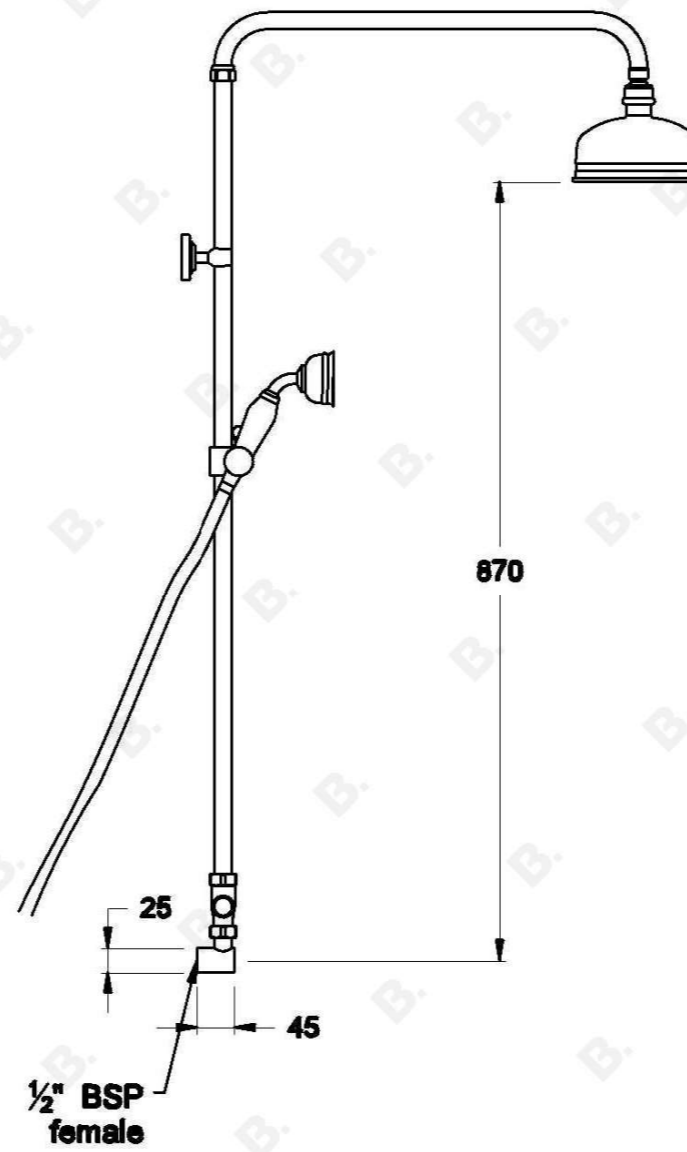


### PRODUCT DIMENSIONS:

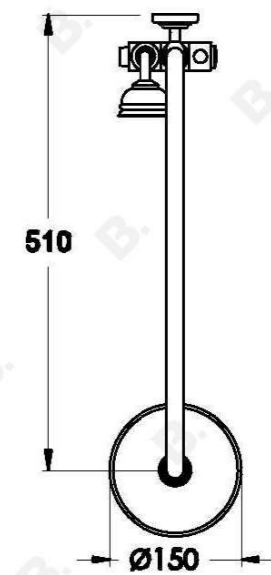
Front view:



Side view:



Top view:



Note: G 1/2" BSP male fittings required in the wall