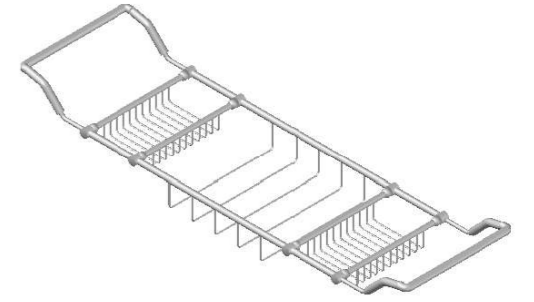


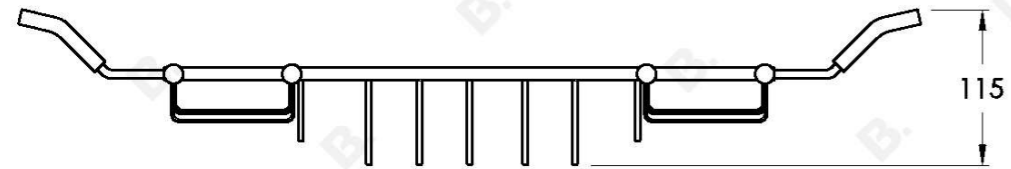
WINSLOW BATH BASKET

1.8173.00.0.XX

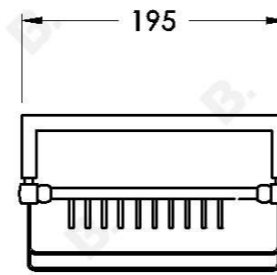


PRODUCT DIMENSIONS:

Front view:



Side view:



Top view:

