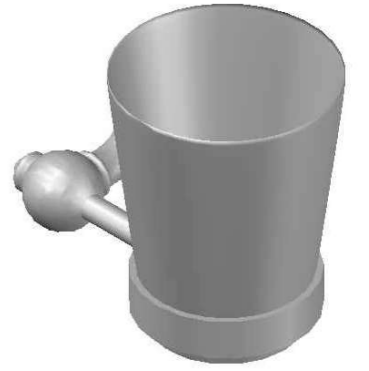


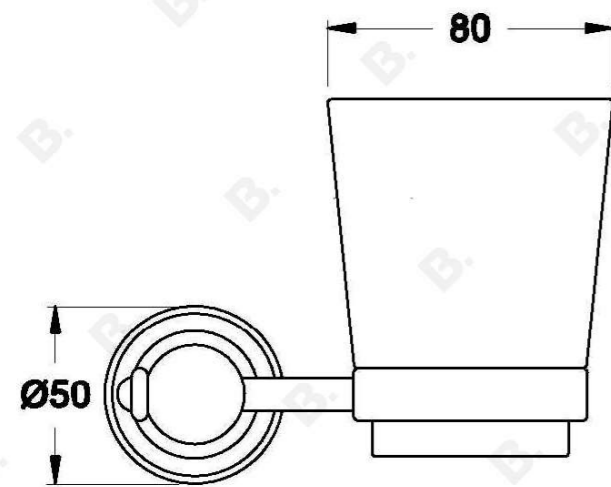
## WINSLOW TUMBLER HOLDER

1.8154.00.0.XX

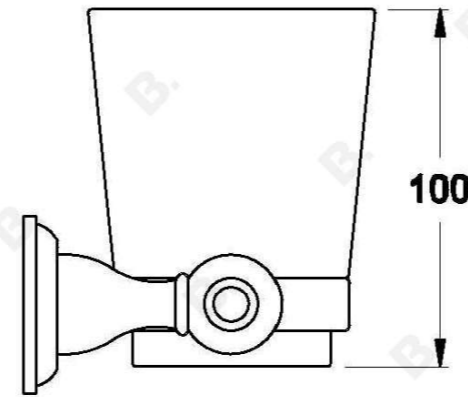


### PRODUCT DIMENSIONS:

Front view:



Side view:



Top view:

