

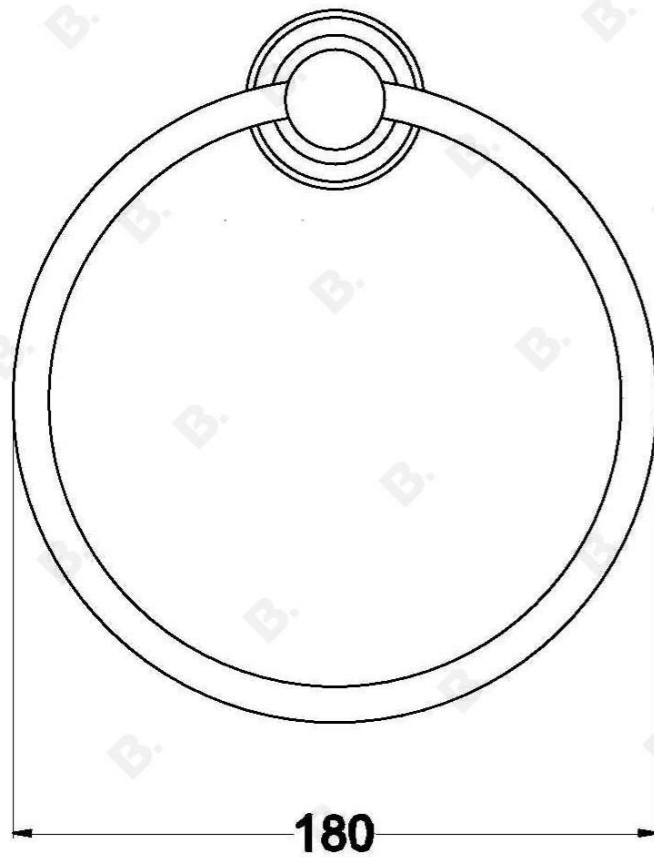
## WINSLOW TOWEL RING

1.8151.00.0.XX

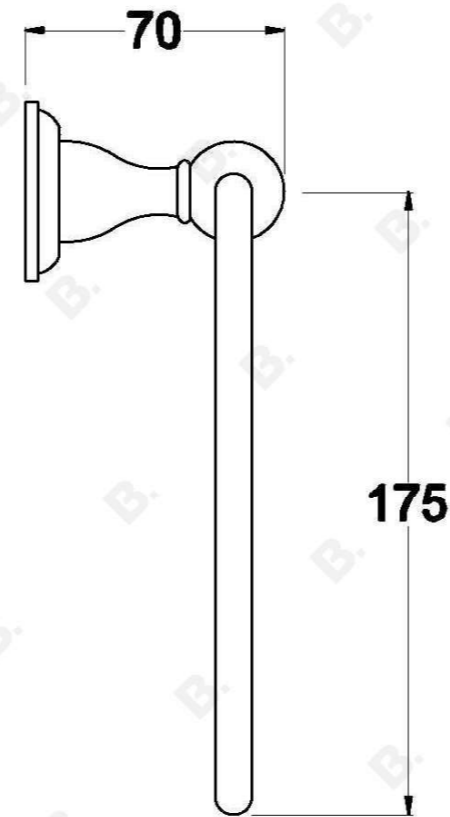


### PRODUCT DIMENSIONS:

Front view:



Side view:



Top view:

