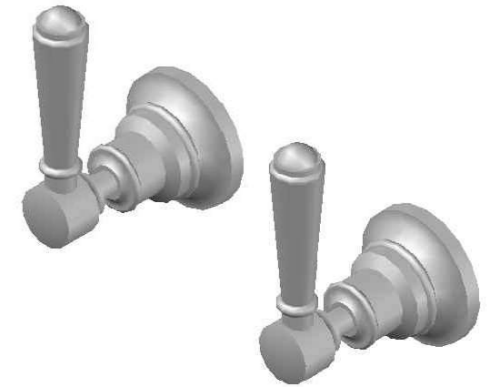


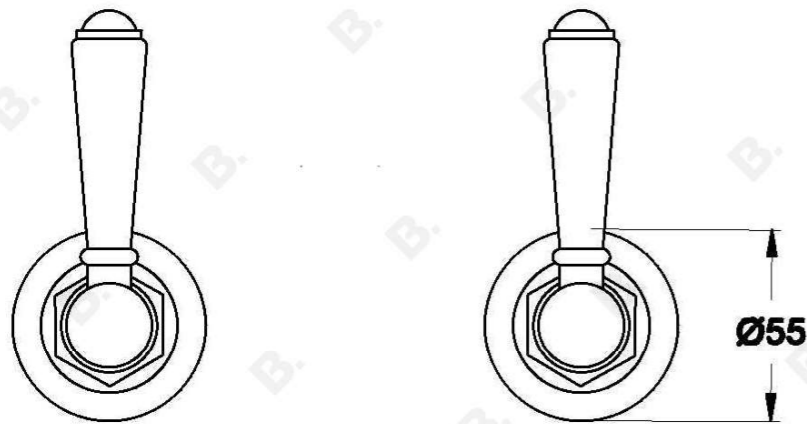
WINSLOW WALL TAPS WITH METAL LEVERS

1.8149.00.3.XX

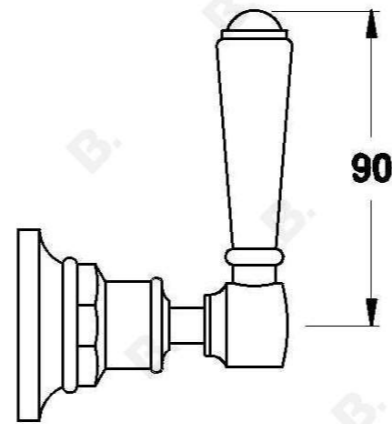


PRODUCT DIMENSIONS:

Front view:



Side view:



Top view:

