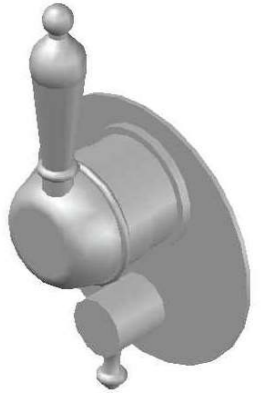


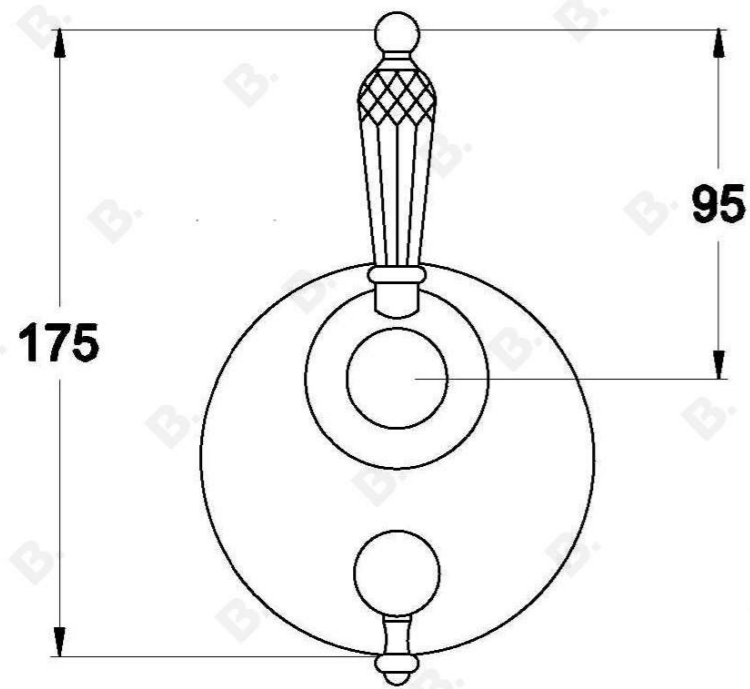
WINSLOW MIXER DIVERTER WITH KRISTALL LEVER

1.8148.05.8.XX

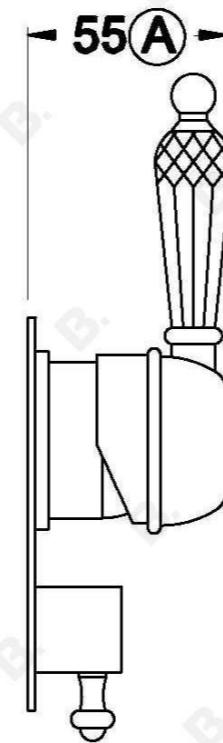


PRODUCT DIMENSIONS:

Front view:



Side view:



Top view:

