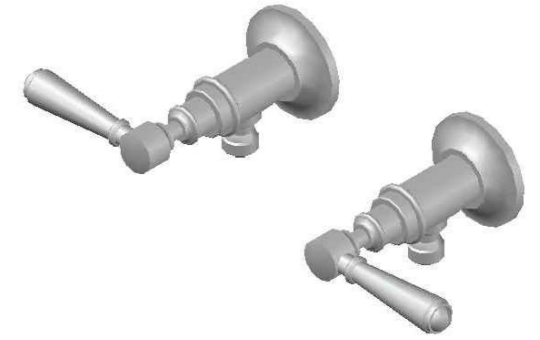


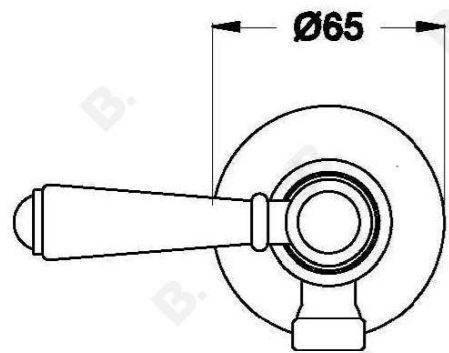
WINSLOW WASHING MACHINE TAPS WITH METAL LEVERS

1.8144.00.3.XX

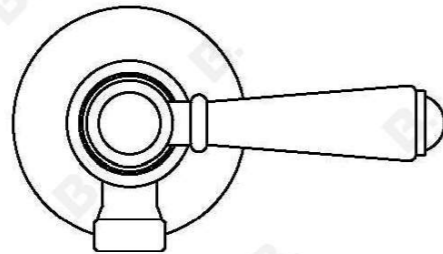


PRODUCT DIMENSIONS:

Front view:



Side view:



Top view:

