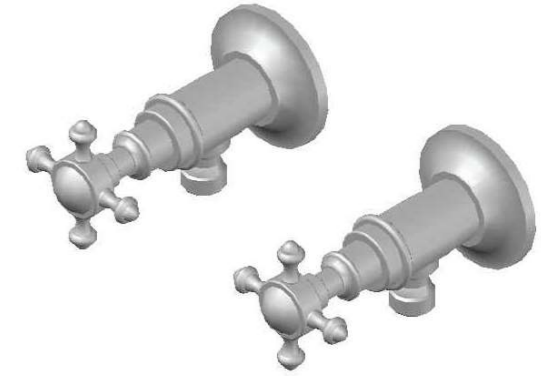


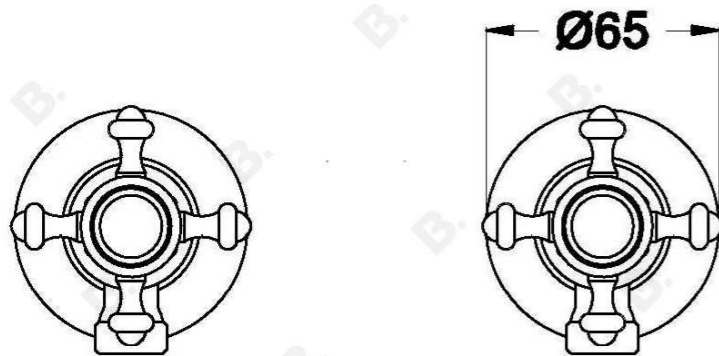
WINSLOW WASHING MACHINE TAPS WITH CROSS HANDLES - CERAMIC DISC

1.8144.00.2.XX

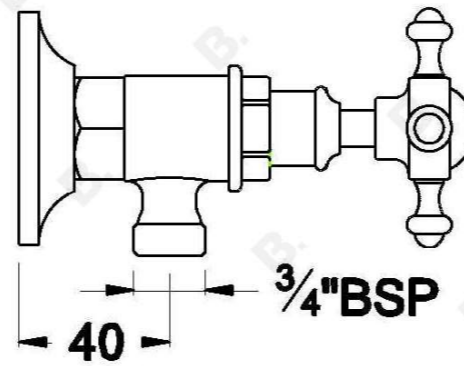


PRODUCT DIMENSIONS:

Front view:



Side view:



Top view:

