

WINSLOW WALL SWIVEL SPOUT

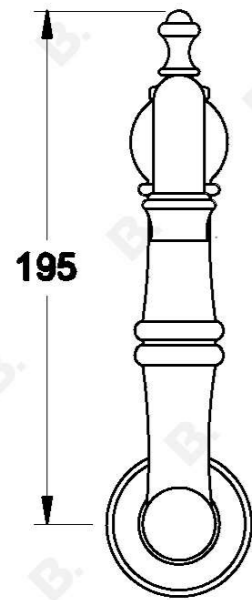
1.8127.32.0.XX

1.8127.42.0.XX - Flow controlled variant

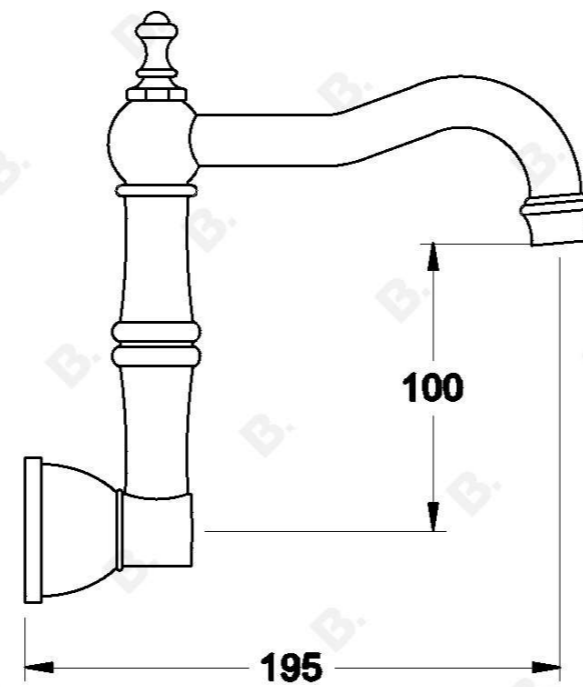


PRODUCT DIMENSIONS:

Front view:



Side view:



Top view:

