

## WINSLOW WALL SPOUT

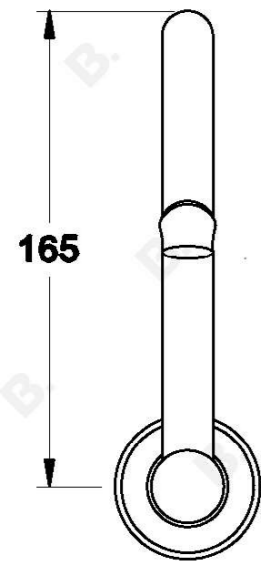
1.8127.30.0.XX

1.8127.40.0.XX - Flow controlled variant

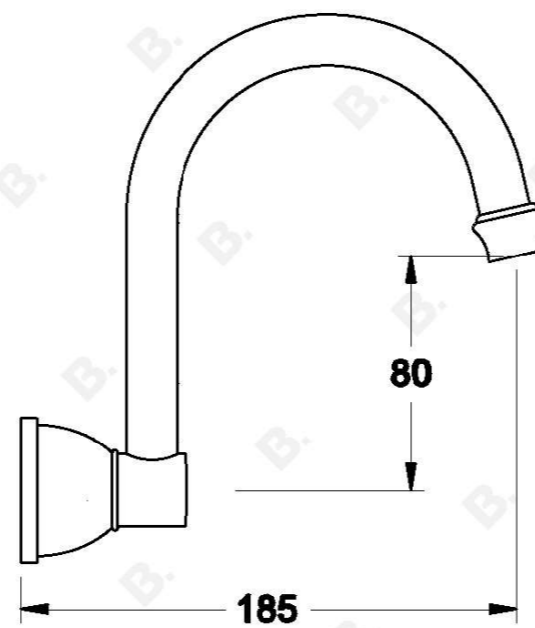


### PRODUCT DIMENSIONS:

Front view:



Side view:



Top view:

