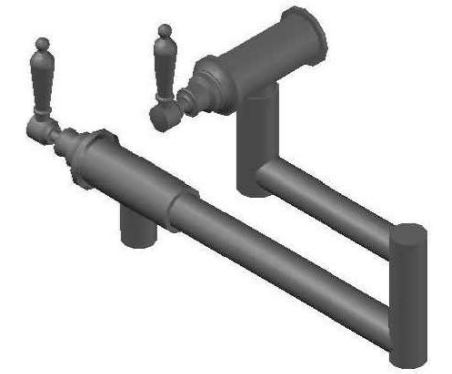


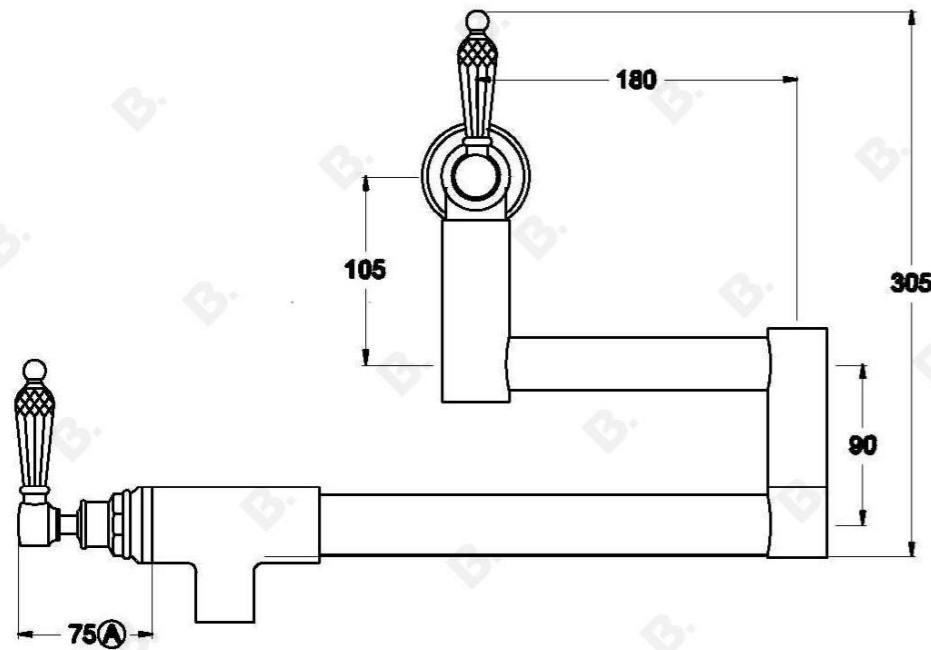
WINSLOW POT FILLER WITH KRISTALL LEVERS

1.8127.03.8.XX

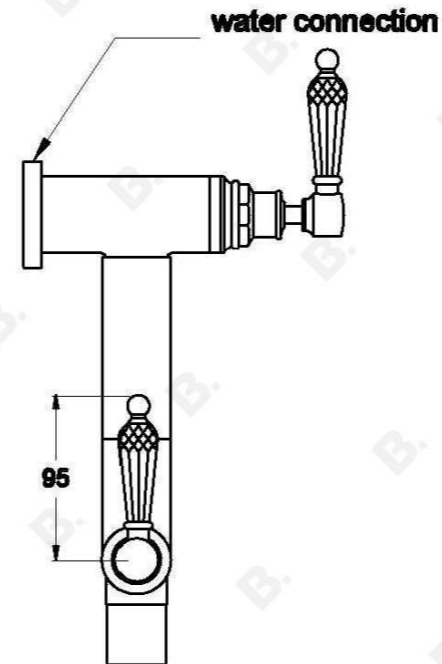


PRODUCT DIMENSIONS:

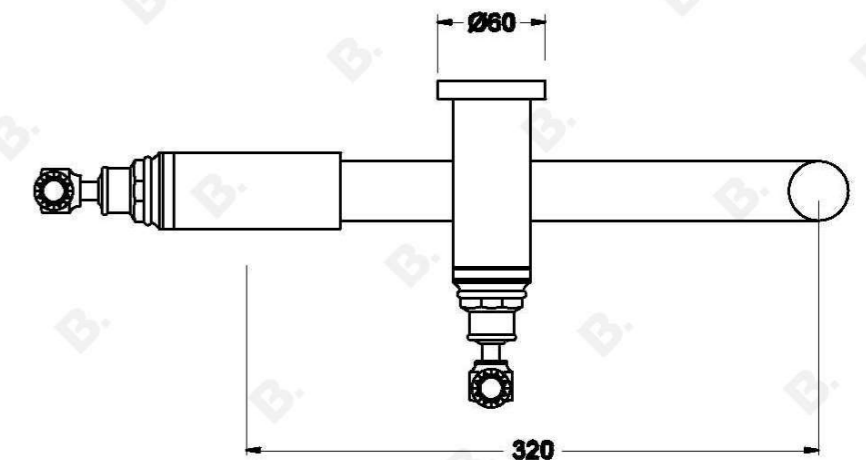
Front view:



Side view:



Top view:



Note:

- Contact your installer regarding installation location
- 1/2" BSP male thread water connection point required in wall