

Brodware

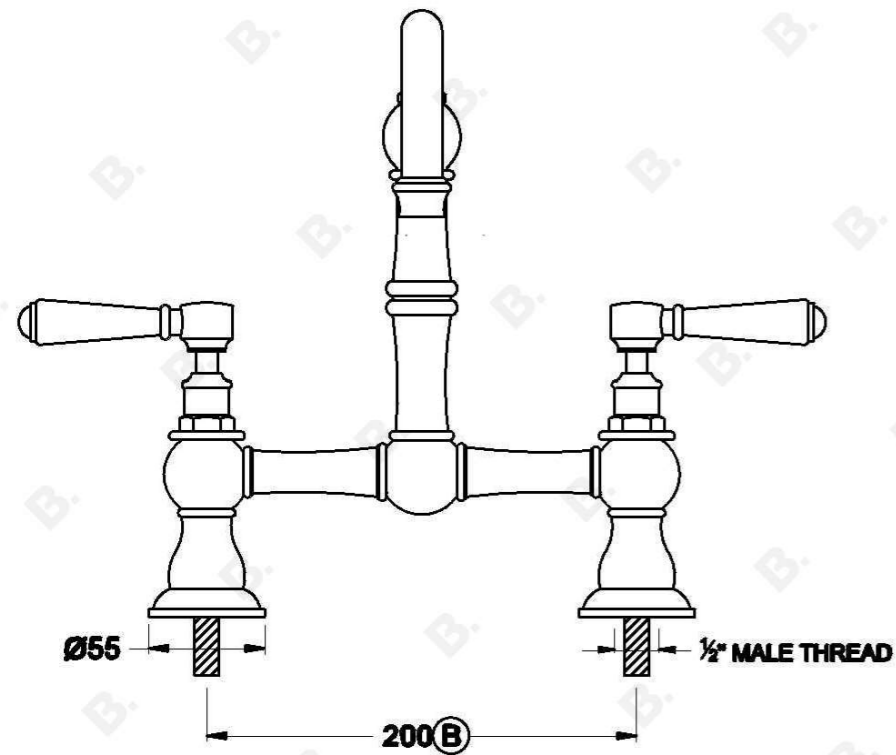
WINSLOW KITCHEN SET WITH METAL LEVERS

1.8131.02.3.XX

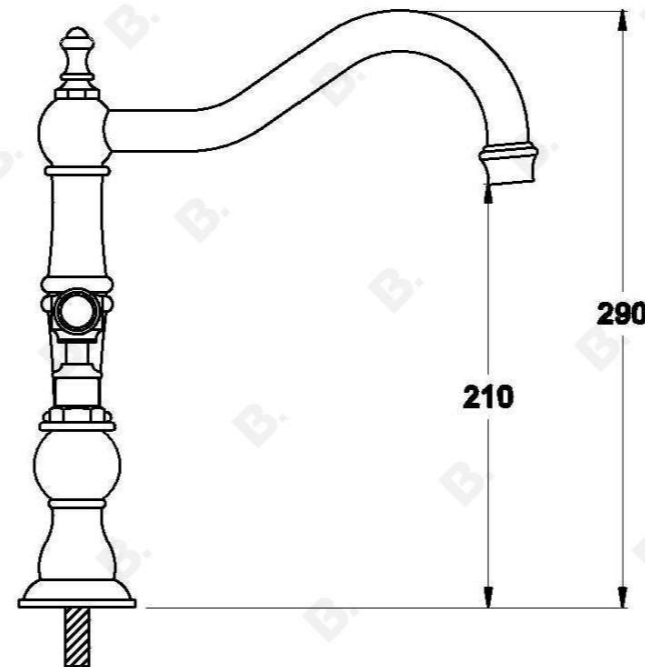


PRODUCT DIMENSIONS:

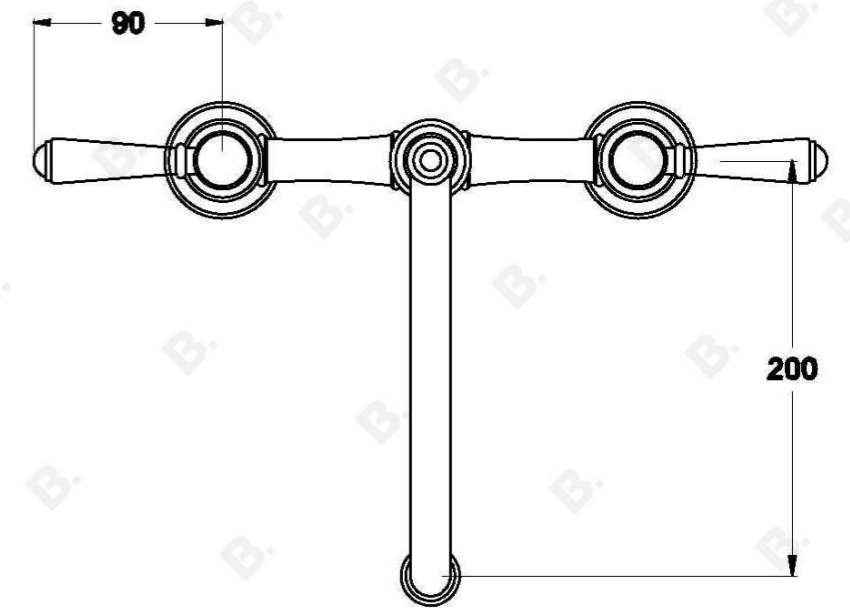
Front view:



Side view:



Top view:



B Fixed 200mm centres

XX suffix indicated finish
Specifications and design subject to change without notice
All dimensions are approximate
A Approximate distance
Copyright © Brodware 2020

B.