

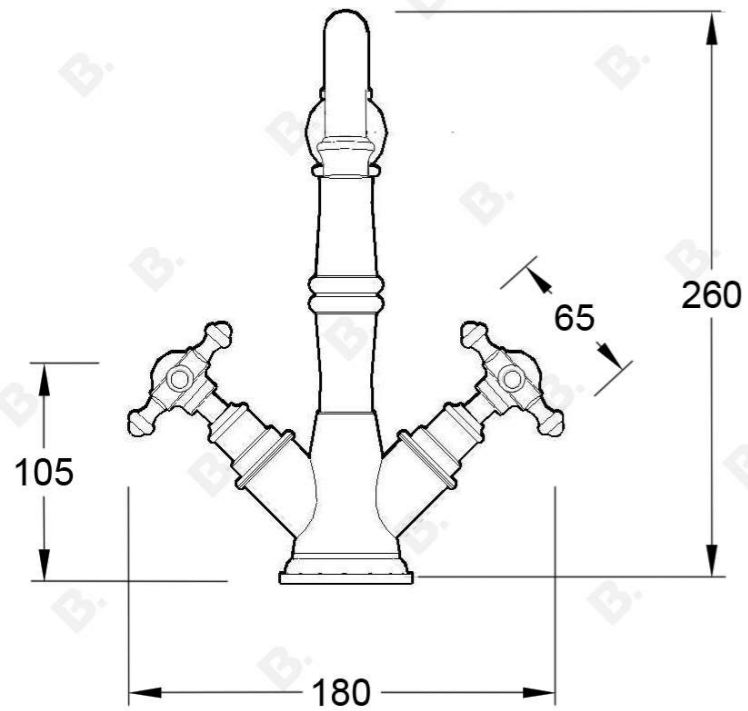
## WINSLOW KITCHEN MIXER WITH CROSS HANDLES - CERAMIC DISC

1.8130.02.2.XX

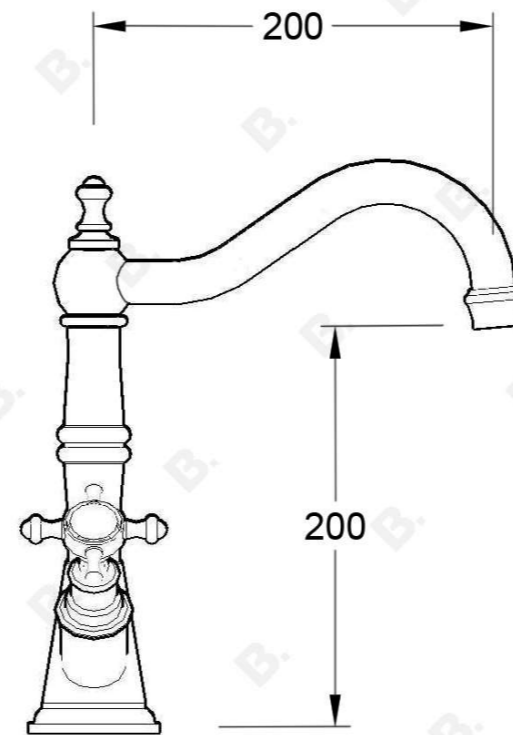


### PRODUCT DIMENSIONS:

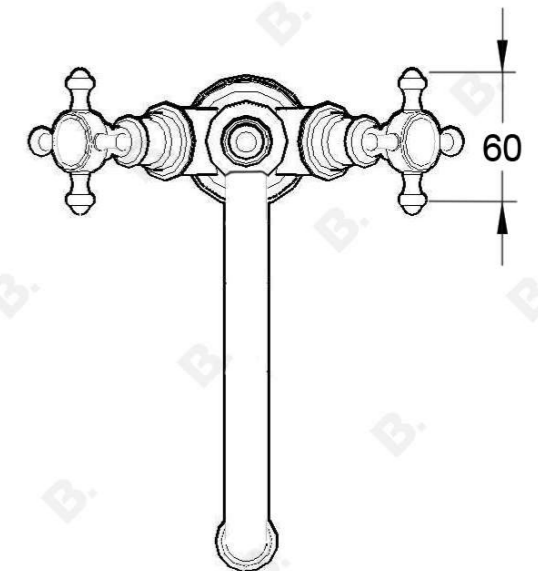
Front view:



Side view:



Top view:



Note: Mixer requires a Ø35mm hole in the bench or basin