

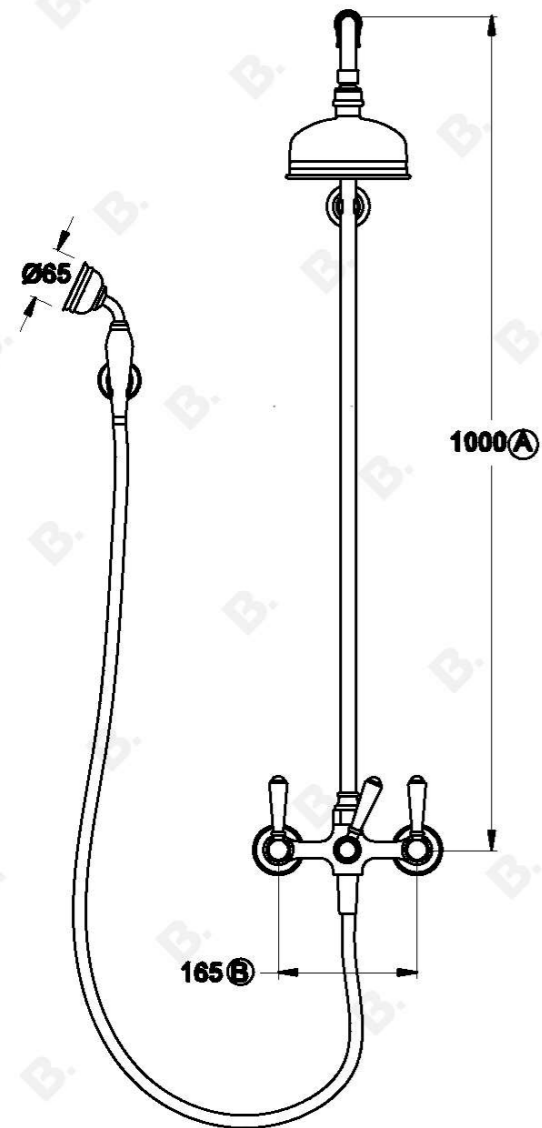
## WINSLOW SHOWER SET WITH METAL LEVERS AND METAL DIVERTER

1.8125.02.3.XX

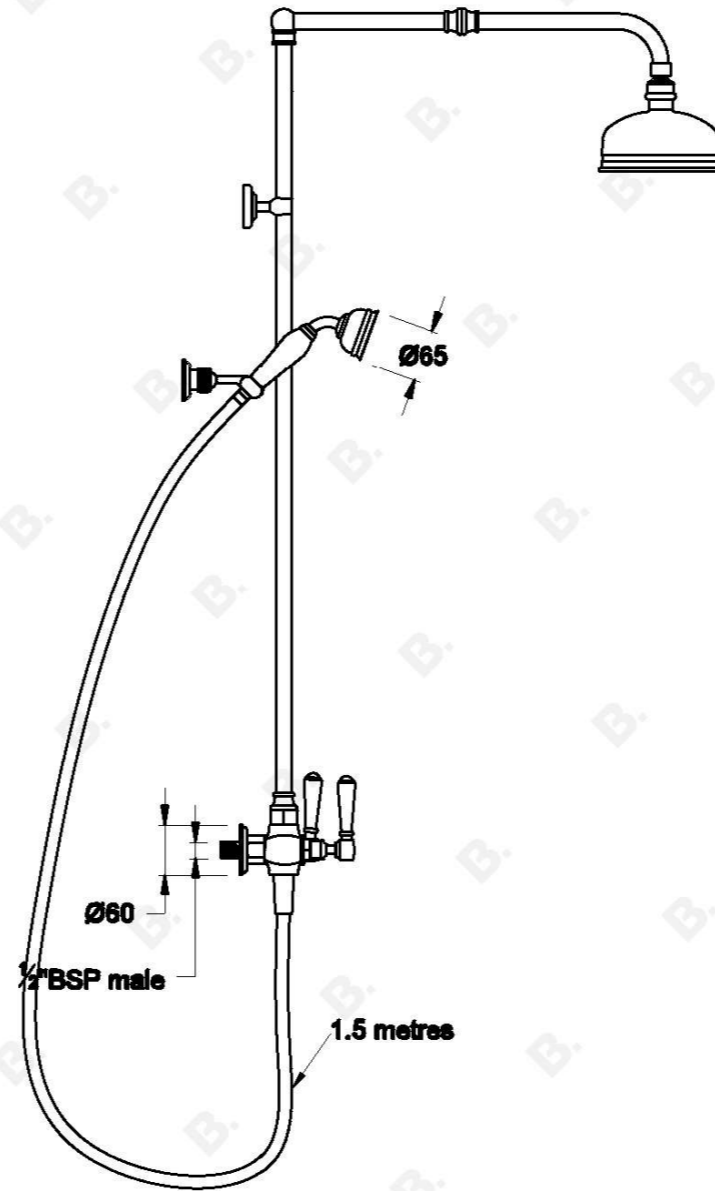


### PRODUCT DIMENSIONS:

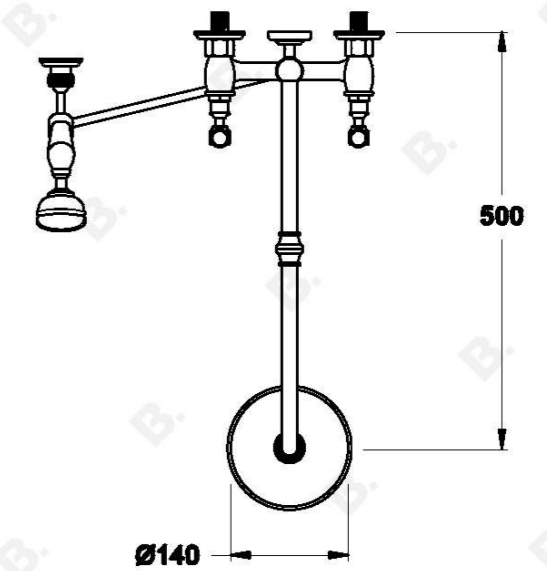
Front view:



Side view:



Top view:



Note: G $\frac{1}{2}$ " BSP female fittings required in the wall