

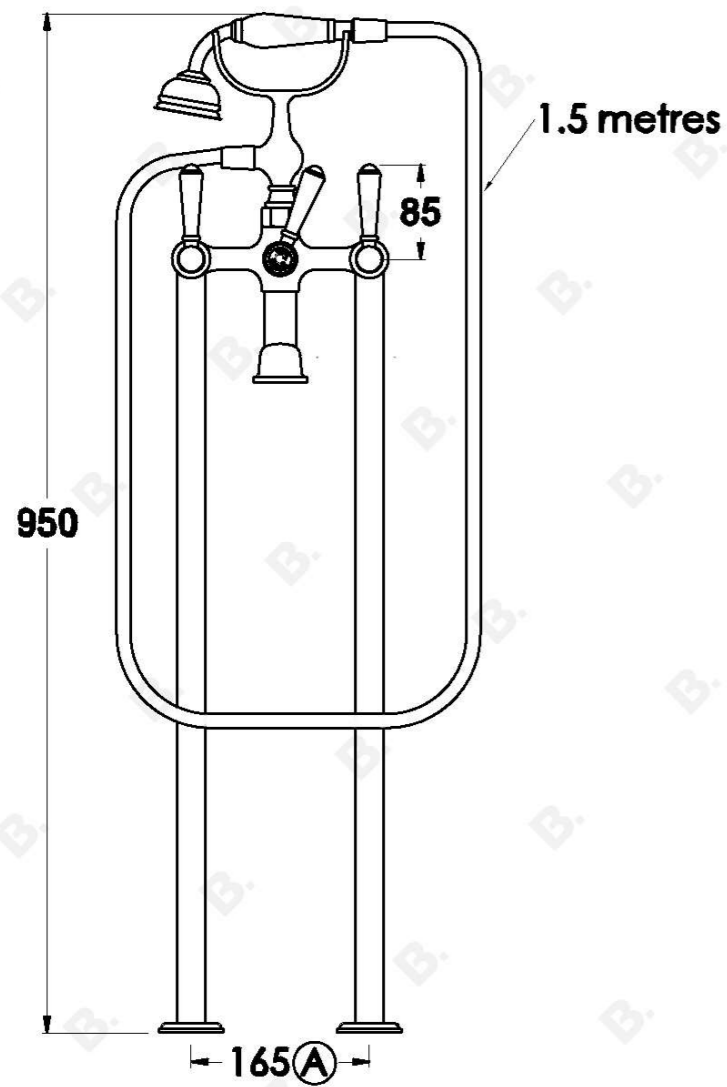
WINSLOW BATH MIXER WITH METAL LEVERS AND METAL DIVERTER

1.8122.00.3.XX

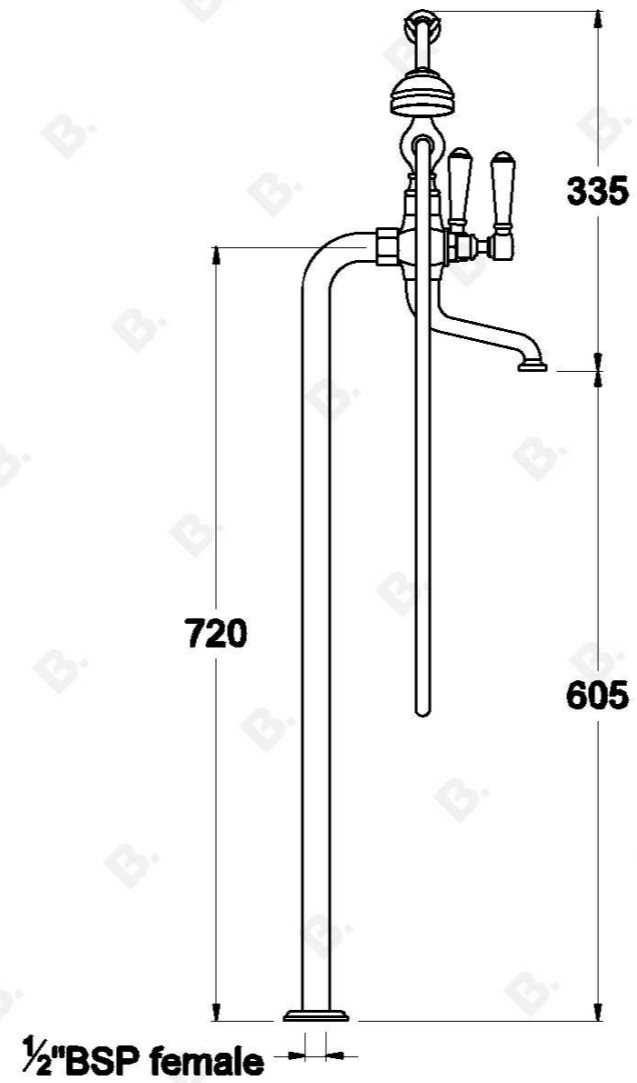


PRODUCT DIMENSIONS:

Front view:



Side view:



Top view:

