

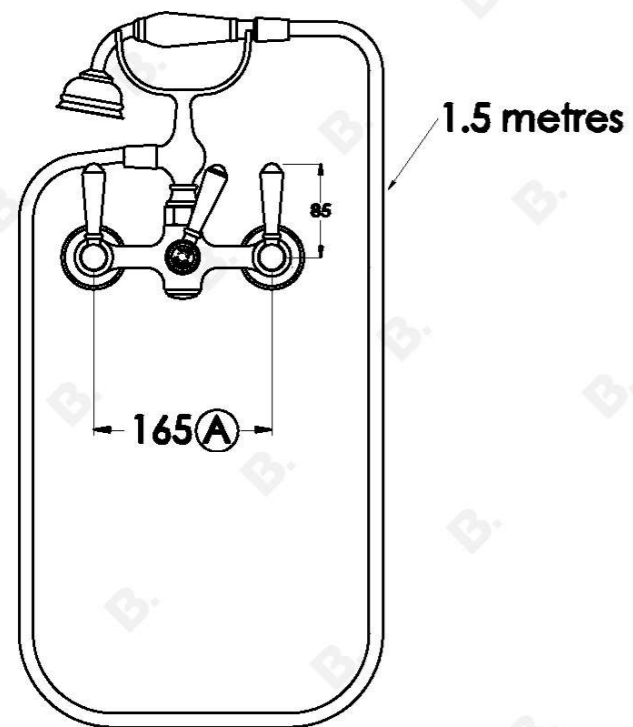
WINSLOW BATH MIXER WITH METAL LEVERS

1.8120.20.3.XX

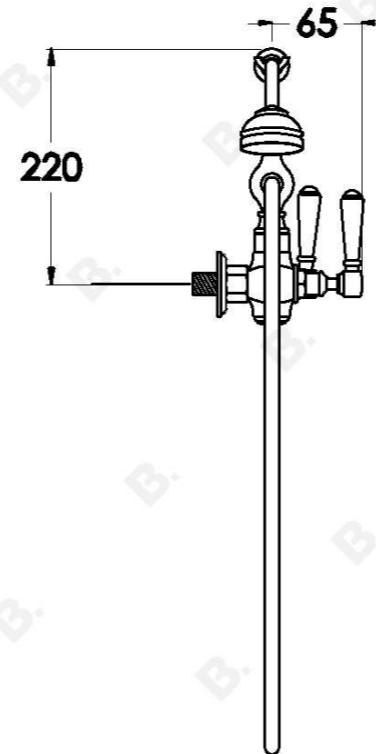


PRODUCT DIMENSIONS:

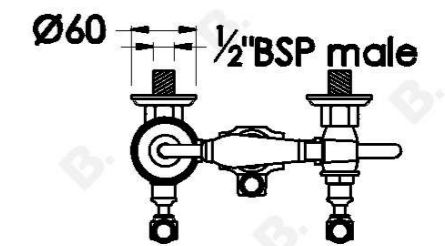
Front view:



Side view:



Top view:



Note: G $\frac{1}{2}$ \"/>