

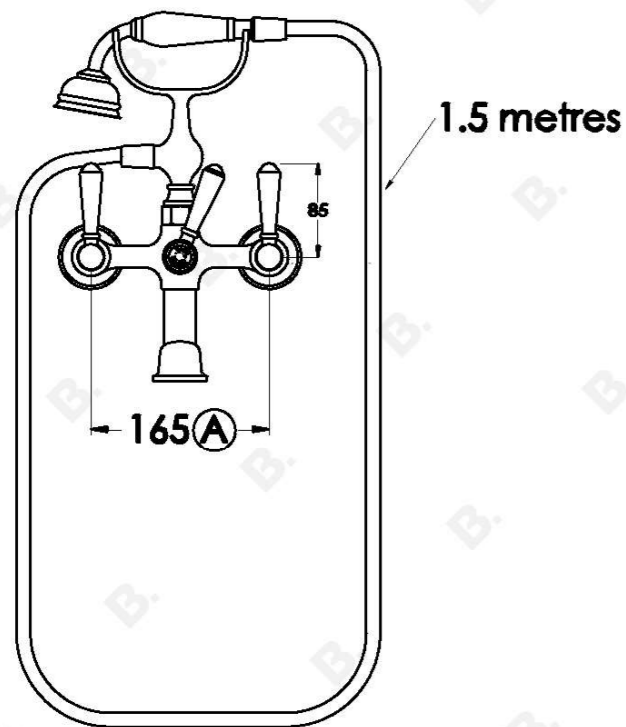
## WINSLOW BATH MIXER WITH METAL LEVERS AND METAL DIVERTER

1.8120.00.3.XX

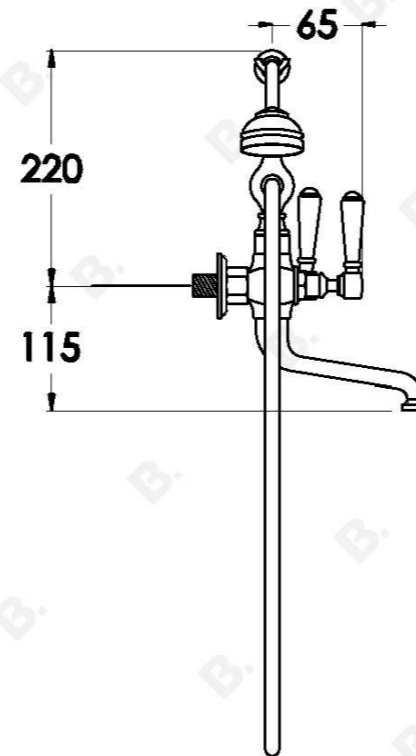


### PRODUCT DIMENSIONS:

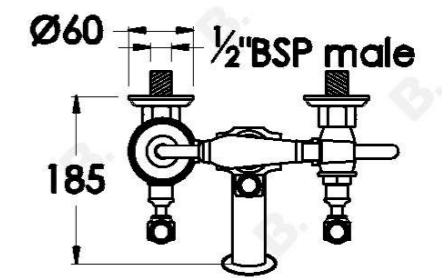
Front view:



Side view:



Top view:



Note: G<sup>1</sup>/<sub>2</sub>" BSP female fittings required in the wall A Fixed centre; outlets must have 165mm centres