

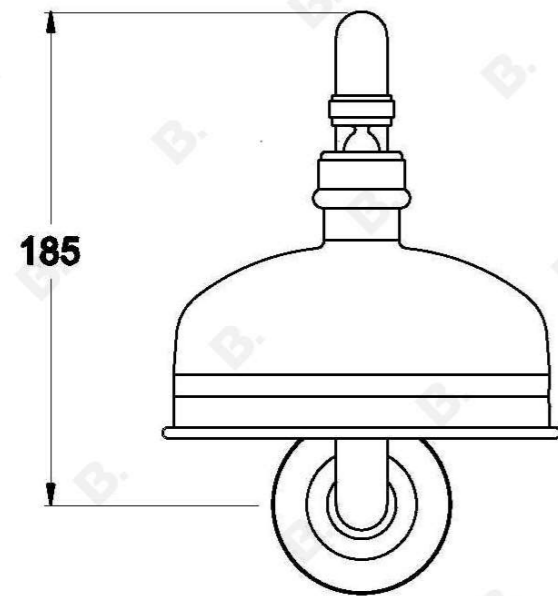
## WINSLOW SHOWER ROSE AND ARM

1.8110.33.0.XX

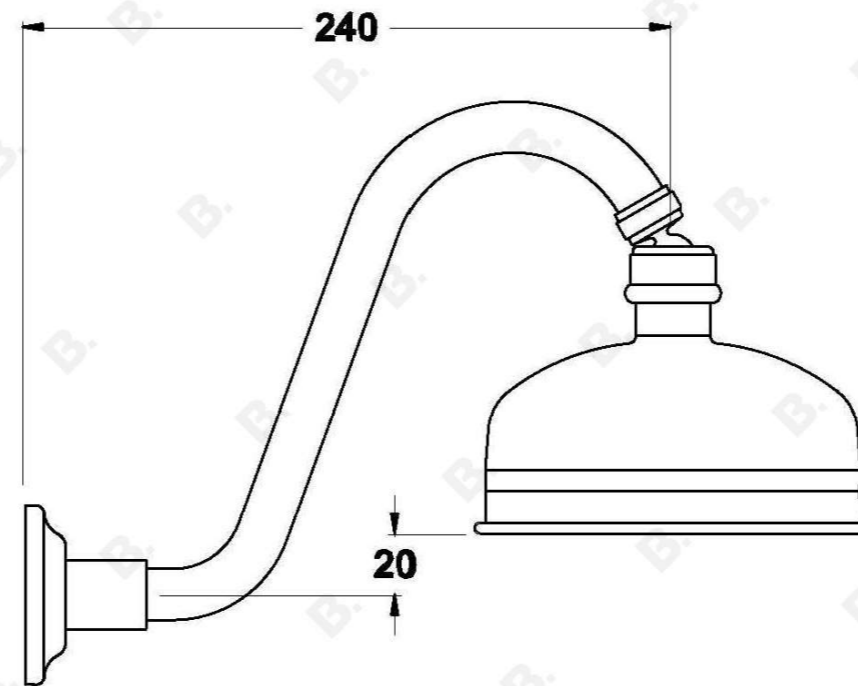


### PRODUCT DIMENSIONS:

Front view:



Side view:



Top view:

