

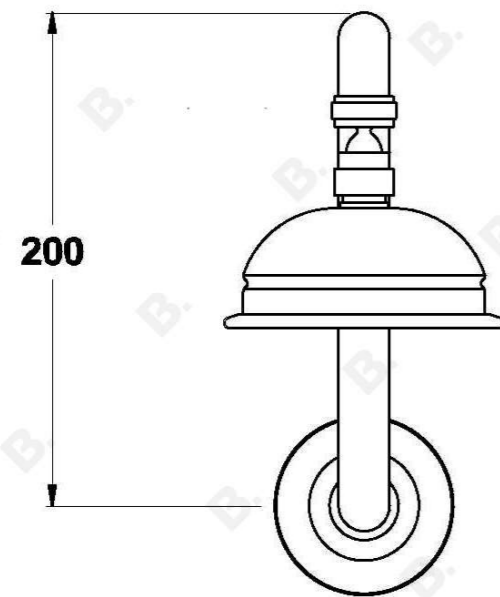
WINSLOW SHOWER ROSE AND ARM

1.8110.30.0.XX

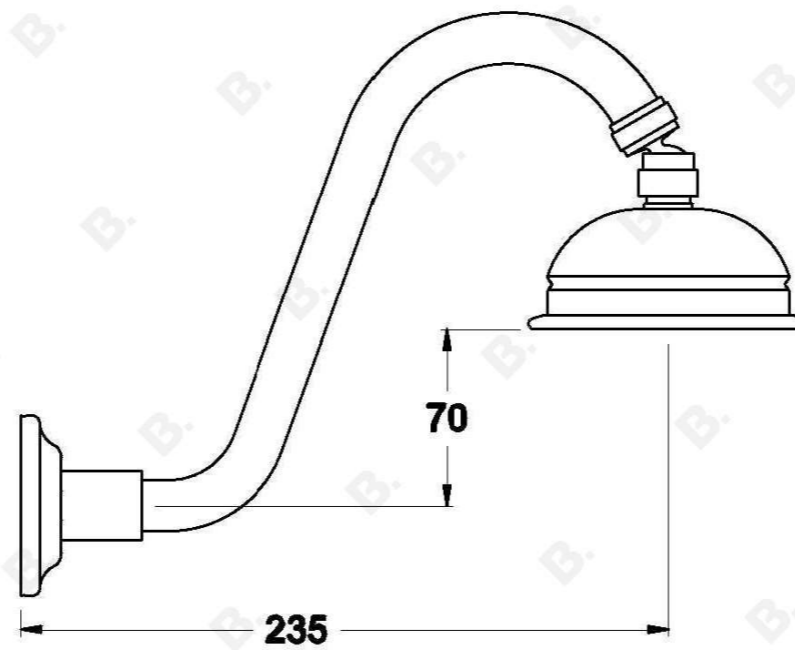


PRODUCT DIMENSIONS:

Front view:



Side view:



Top view:

