

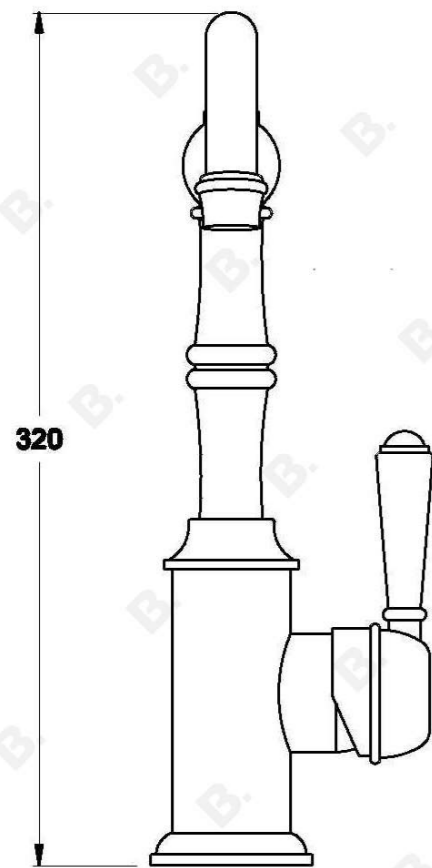
WINSLOW KITCHEN MIXER WITH METAL LEVER

1.8108.02.3.XX

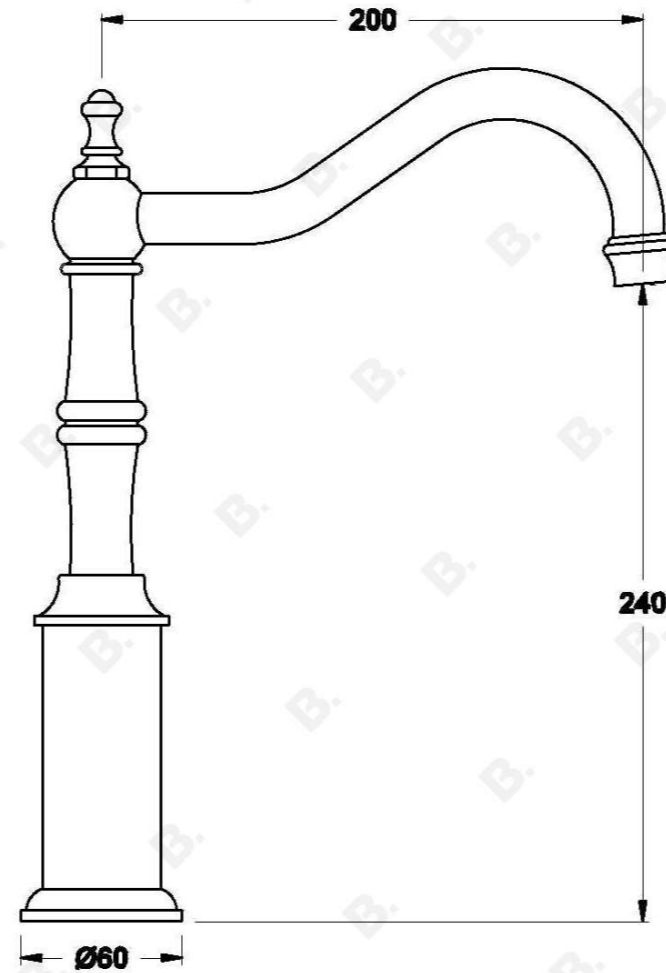


PRODUCT DIMENSIONS:

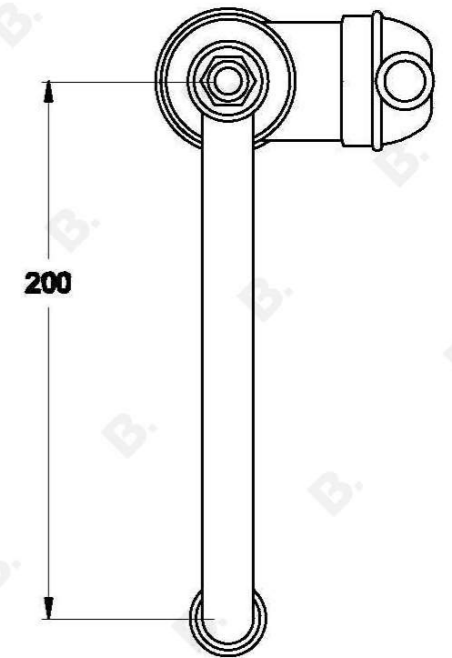
Front view:



Side view:



Top view:



Note: Mixer requires a Ø35mm hole in the basin or bench