

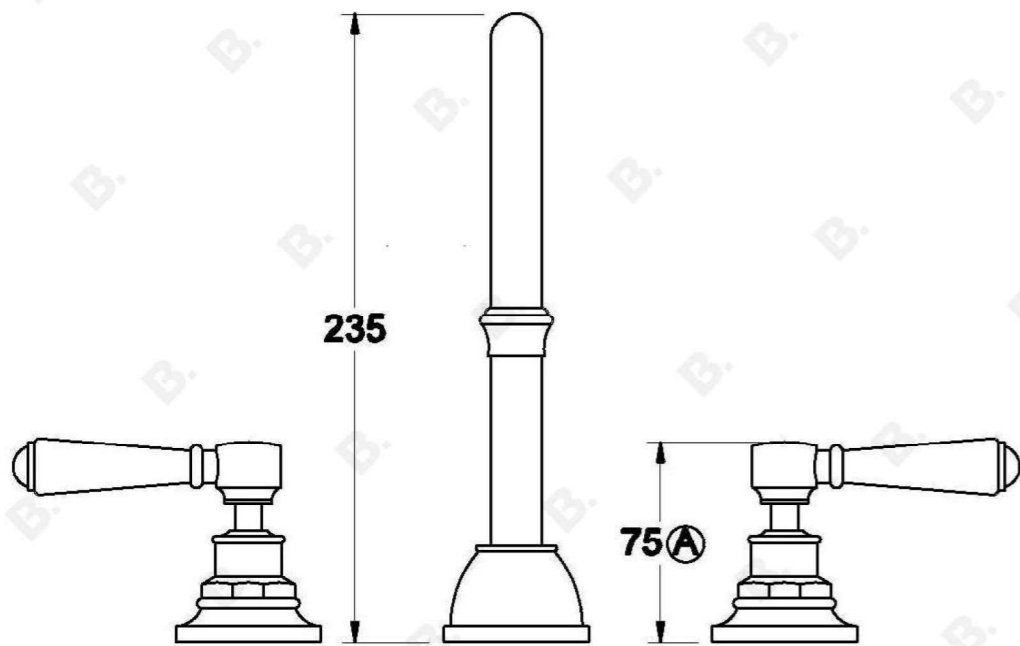
WINSLOW KITCHEN SET WITH METAL LEVERS

1.8107.09.3.XX

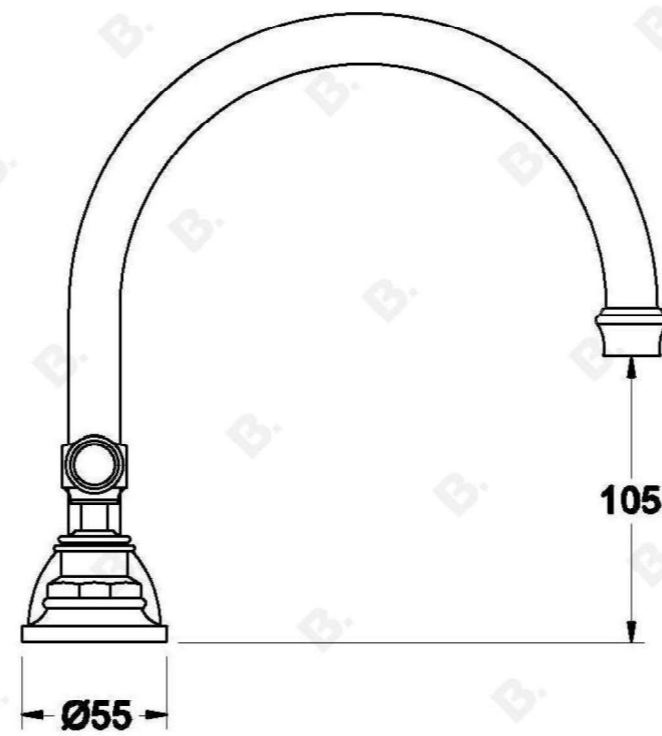


PRODUCT DIMENSIONS:

Front view:



Side view:



Top view:

