

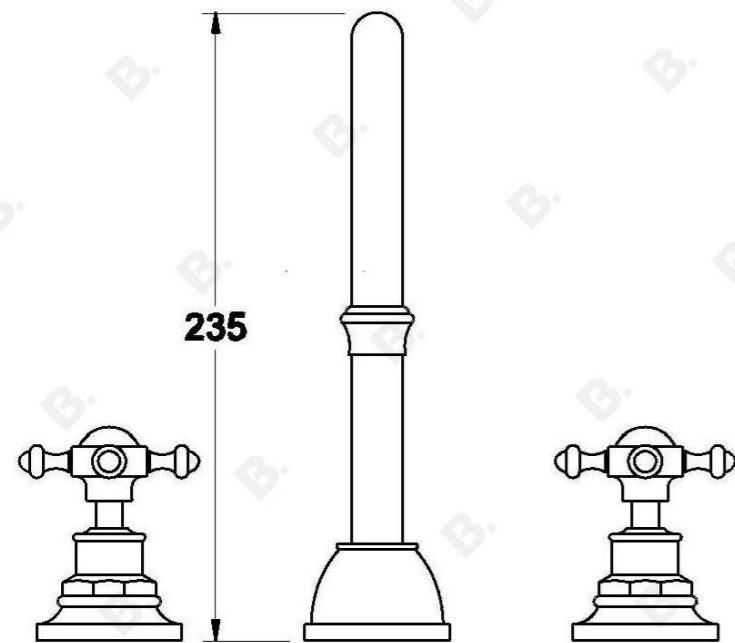
WINSLOW KITCHEN SET WITH CROSS HANDLES - CERAMIC DISC

1.8107.09.2.XX

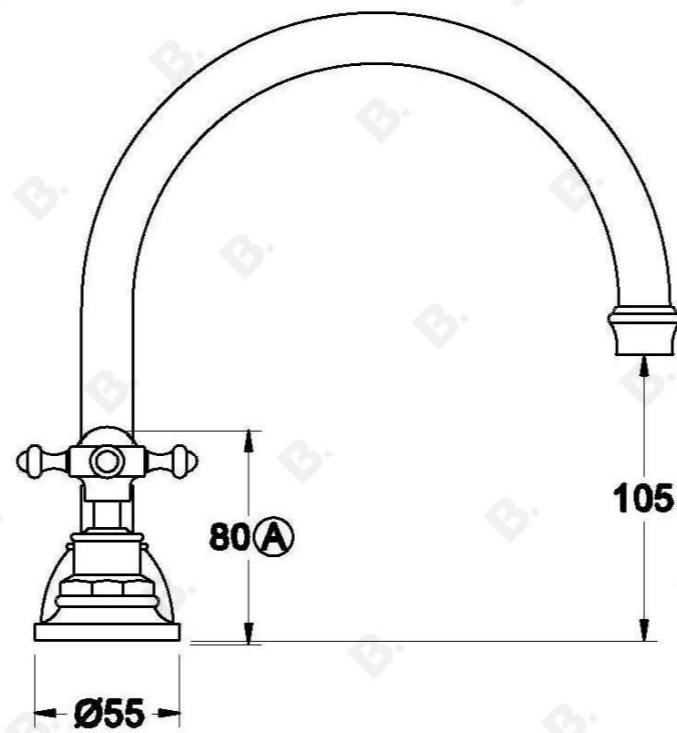


PRODUCT DIMENSIONS:

Front view:



Side view:



Top view:

