

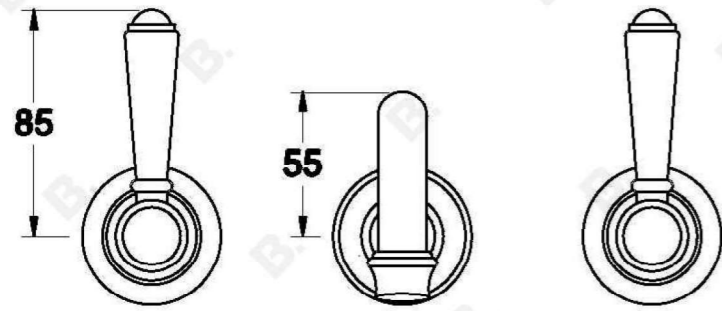
## WINSLOW WALL SET WITH METAL LEVERS

1.8106.00.3.XX  
1.8106.50.3.XX - Flow controlled variant

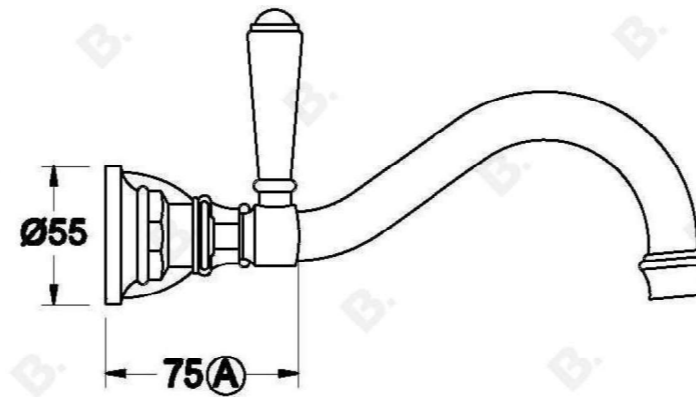


### PRODUCT DIMENSIONS:

Front view:



Side view:



Top view:

