

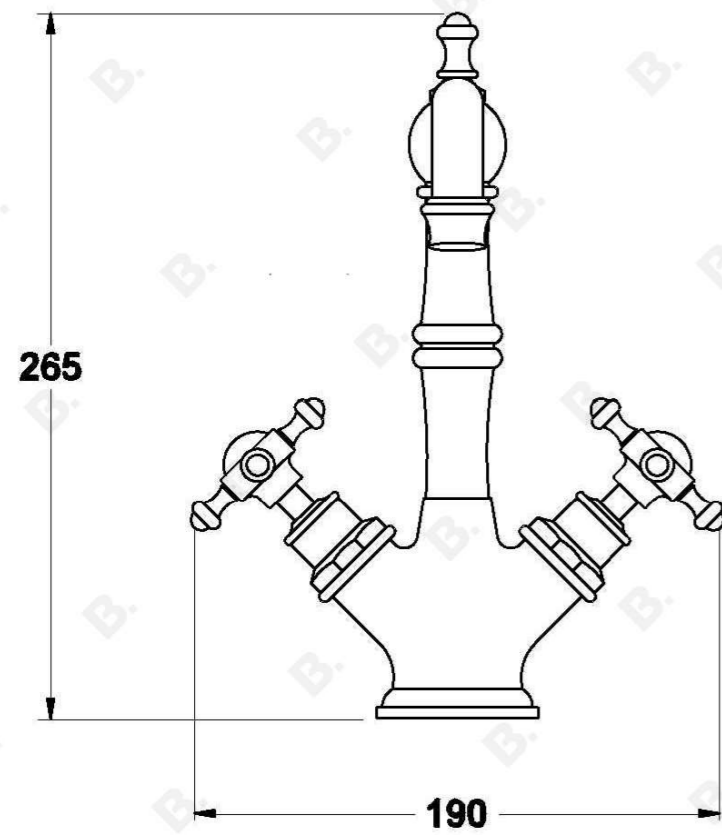
WINSLOW BASIN MIXER WITH CROSS HANDLES - CERAMIC DISC

1.8104.02.2.XX

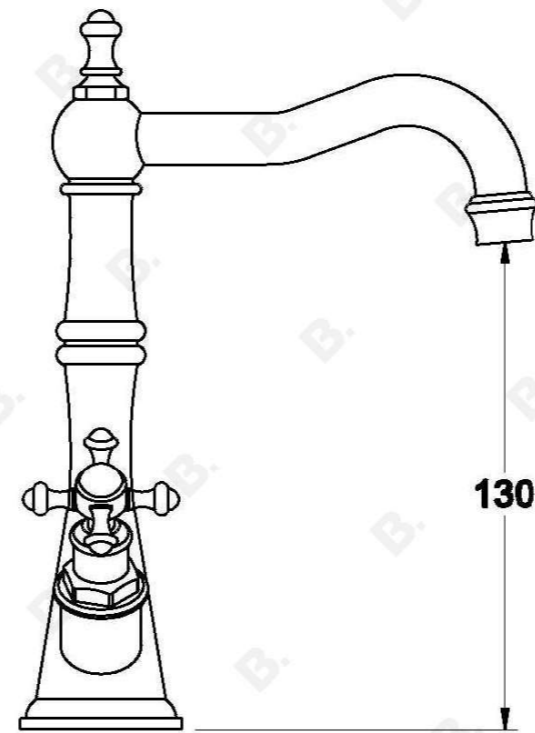


PRODUCT DIMENSIONS:

Front view:



Side view:



Top view:

