

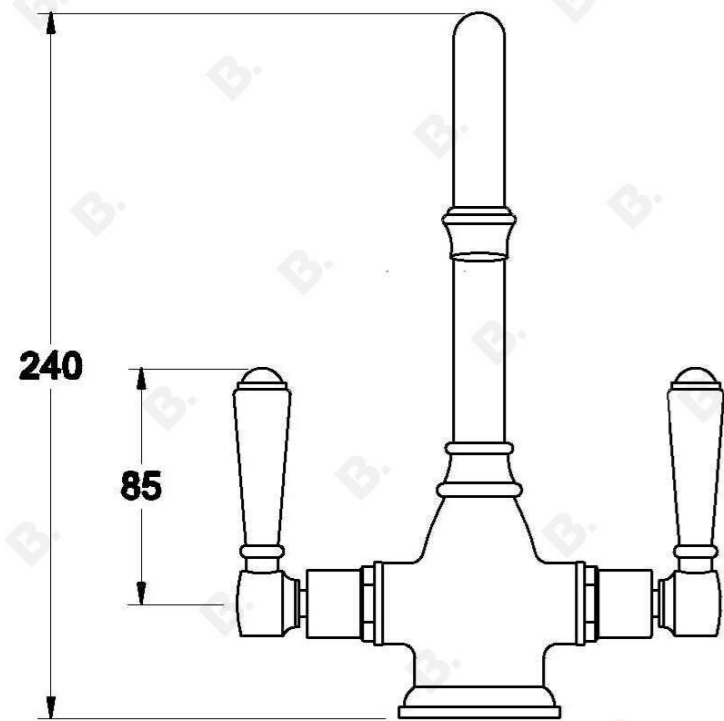
WINSLOW BASIN MIXER WITH METAL LEVERS

1.8104.00.3.XX

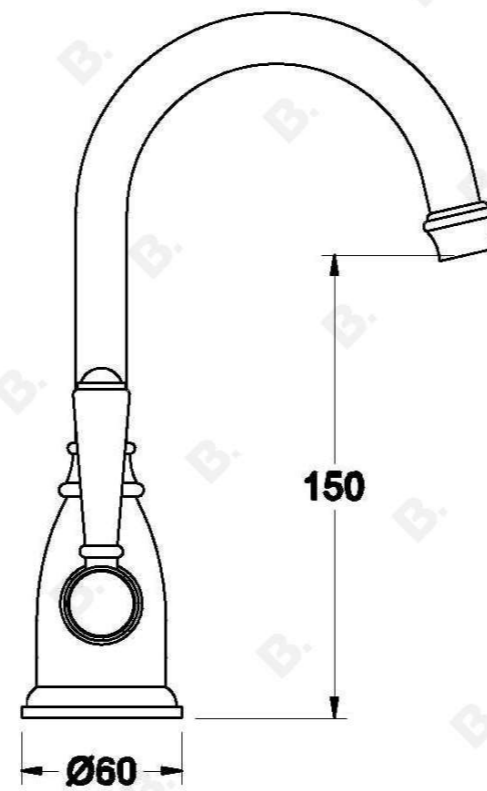


PRODUCT DIMENSIONS:

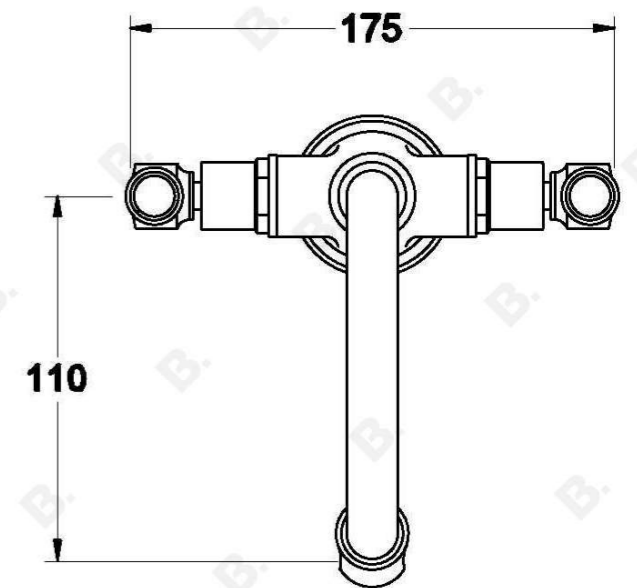
Front view:



Side view:



Top view:



Note: Mixer requires a Ø35mm hole in the basin or bench