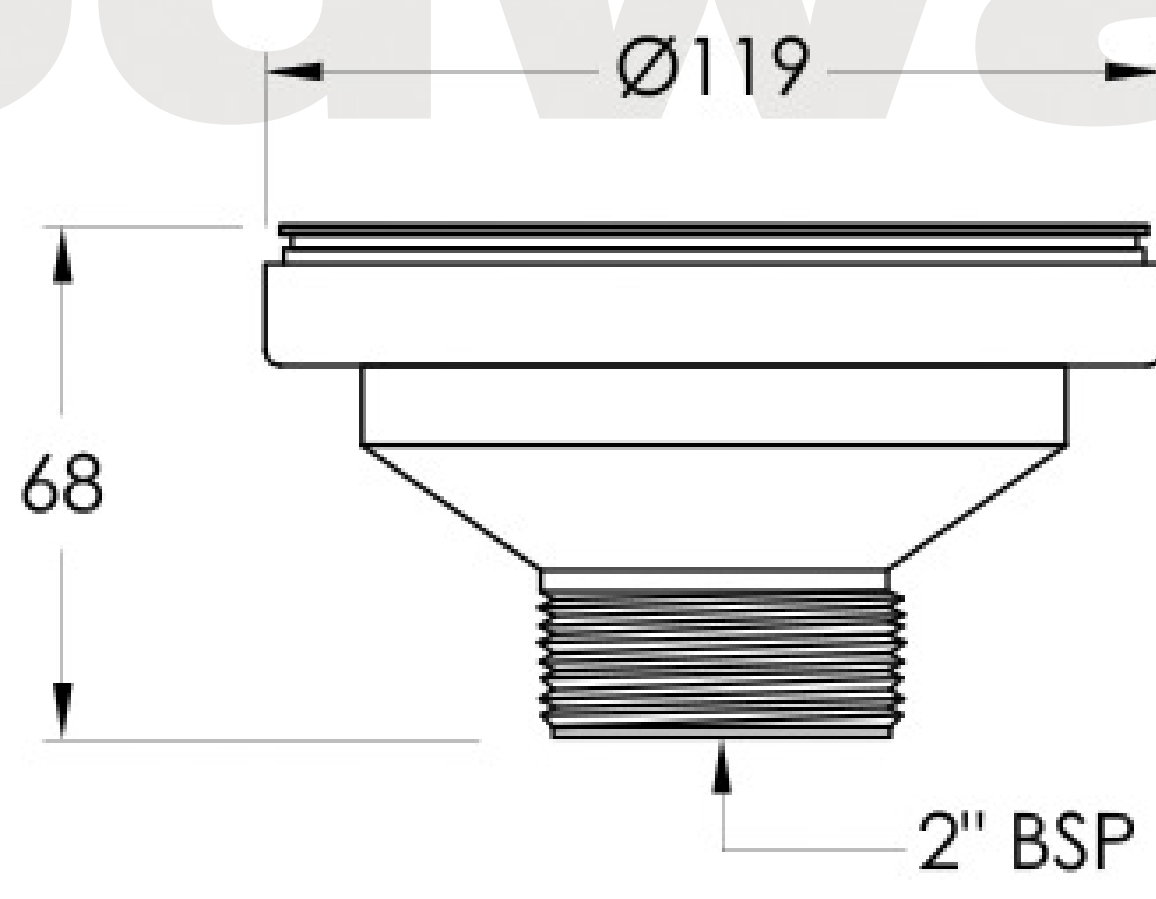


Brodware



## WASTES & TRAPS

1.7012.00.0.XX

XX Indicates finish  
Manufacturing engineers of quality commercial and residential fittings  
Dimensions subjects to change without notice. All dimensions are approximate  
Copyright © Brodware Pty Ltd 2018. [www.brodware.com](http://www.brodware.com)

**Brodware**