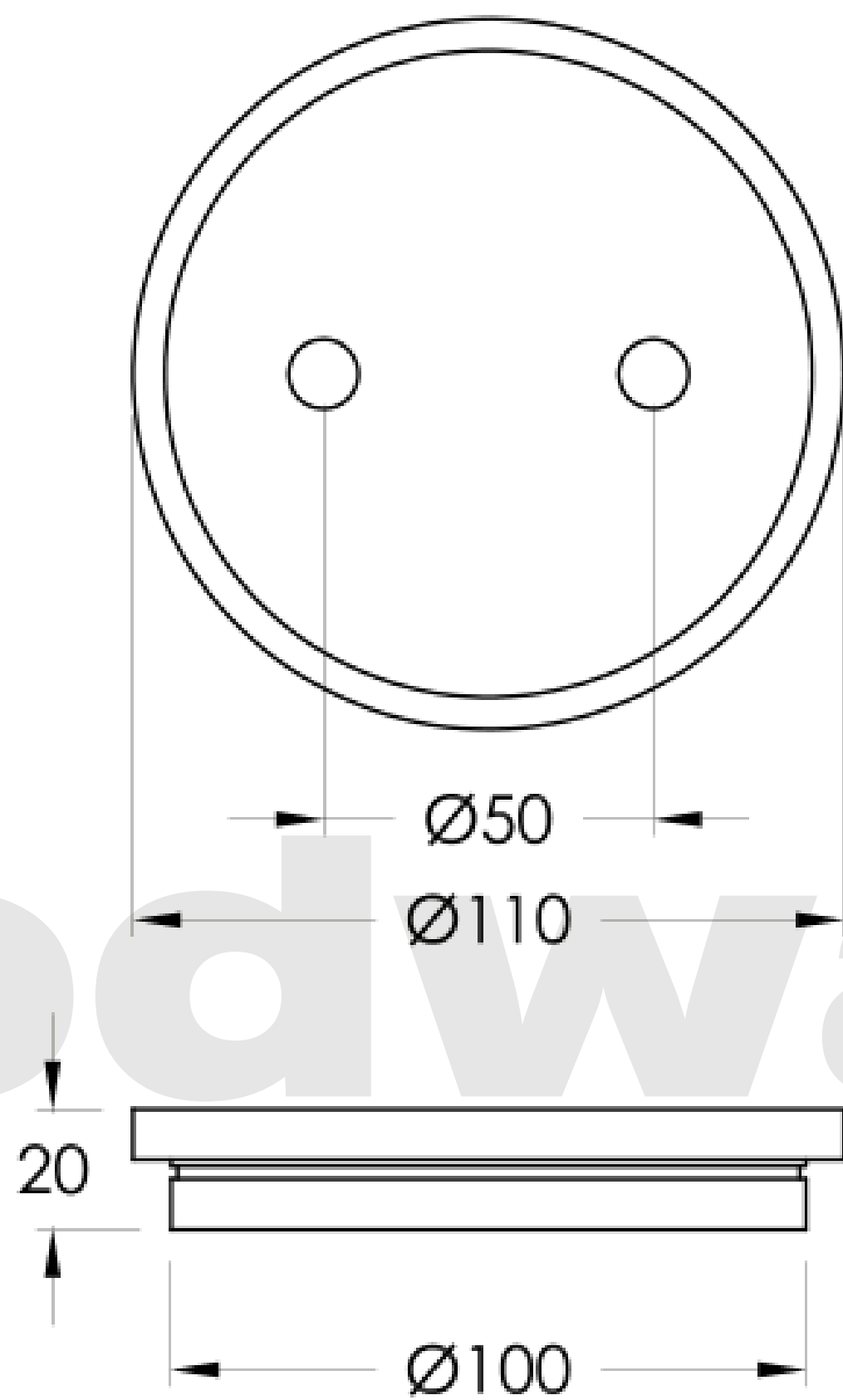


Brodware



WASTE AND TRAPS

1.7025.00.0.XX

XX Indicates finish
Manufacturing engineers of quality commercial and residential fittings
Dimensions subjects to change without notice. All dimensions are approximate
Copyright © Brodware Pty Ltd 2018. www.brodware.com

Brodware