

MINIM WALL SET

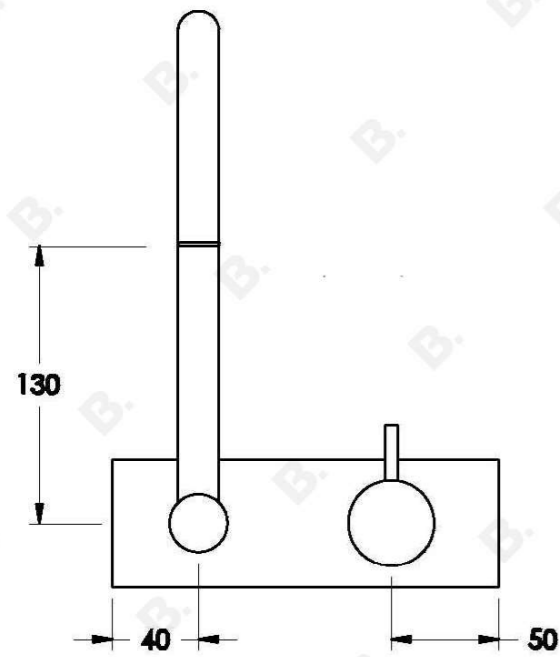
1.9428.05.0.XX

1.9428.55.0.XX: Flow controlled variant

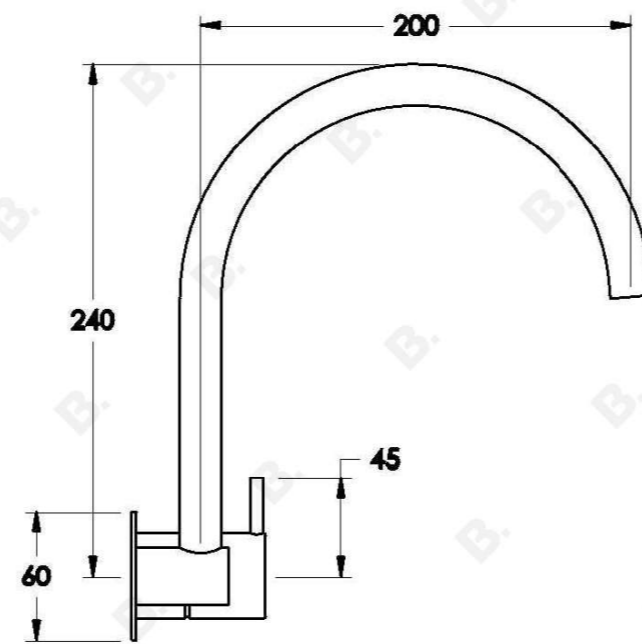


PRODUCT DIMENSIONS:

Front view:



Side view:



Top view:

