

## MINIM WALL SET

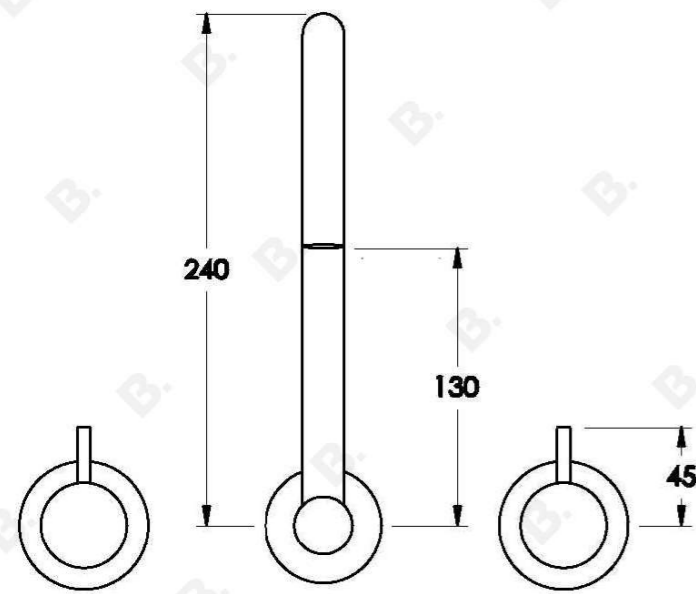
1.9428.00.3.XX

1.9428.50.3.XX: Flow controlled variant

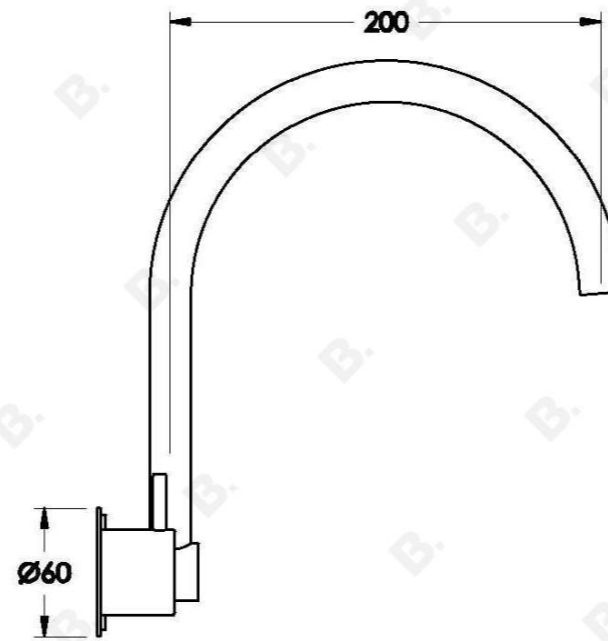


### PRODUCT DIMENSIONS:

Front view:



Side view:



Top view:

