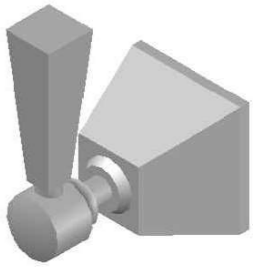


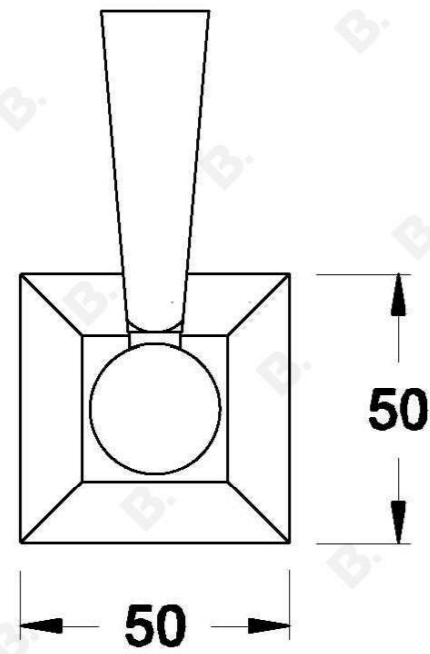
MICHELANGELO DIVERTER

1.8941.00.3.XX

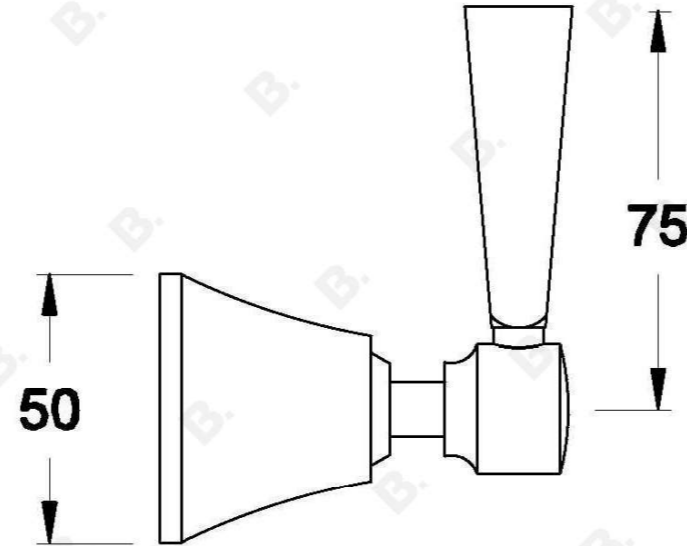


PRODUCT DIMENSIONS:

Front view:



Side view:



Top view:

