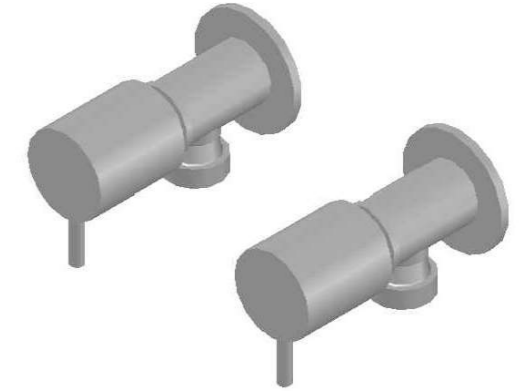


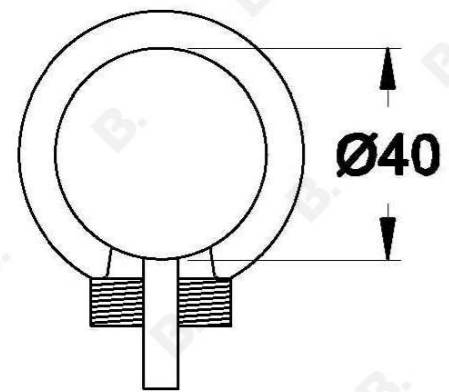
CITY STIK WASHING MACHINE TAPS

1.9944.00.3.XX

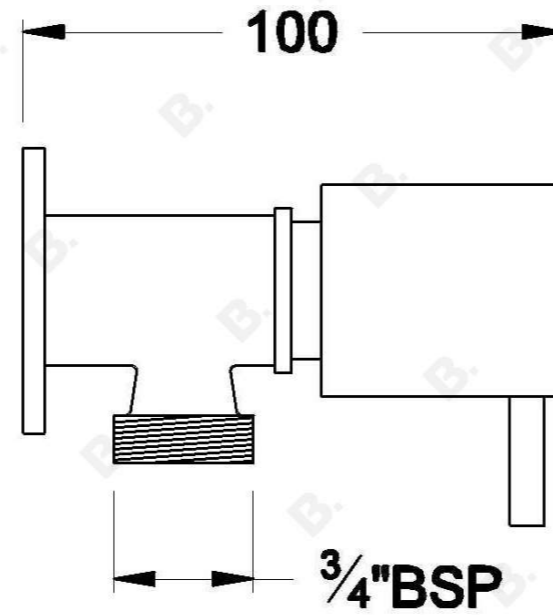


PRODUCT DIMENSIONS:

Front view:



Side view:



Top view:

