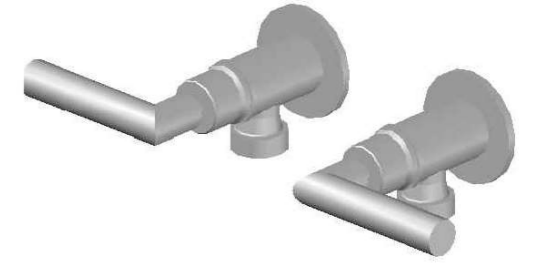


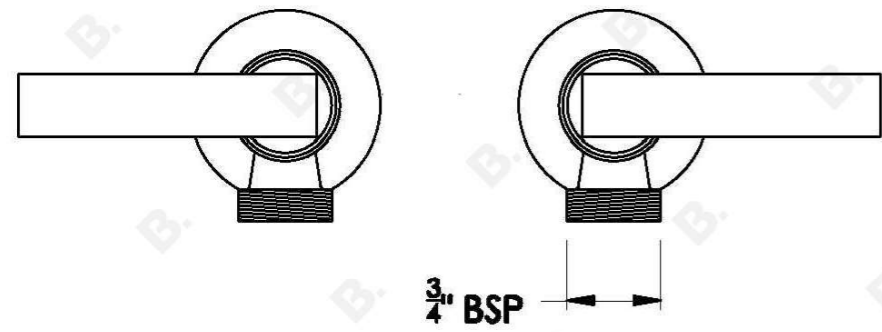
CITY PLUS WASHING MACHINE TAPS WITH D LEVERS

1.9744.00.7.XX

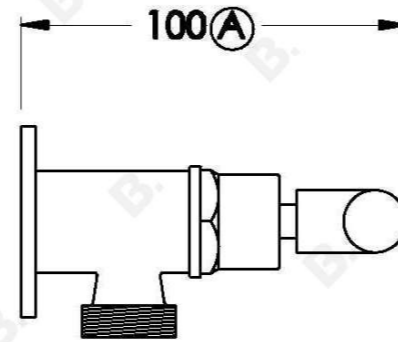


PRODUCT DIMENSIONS:

Front view:



Side view:



Top view:

