

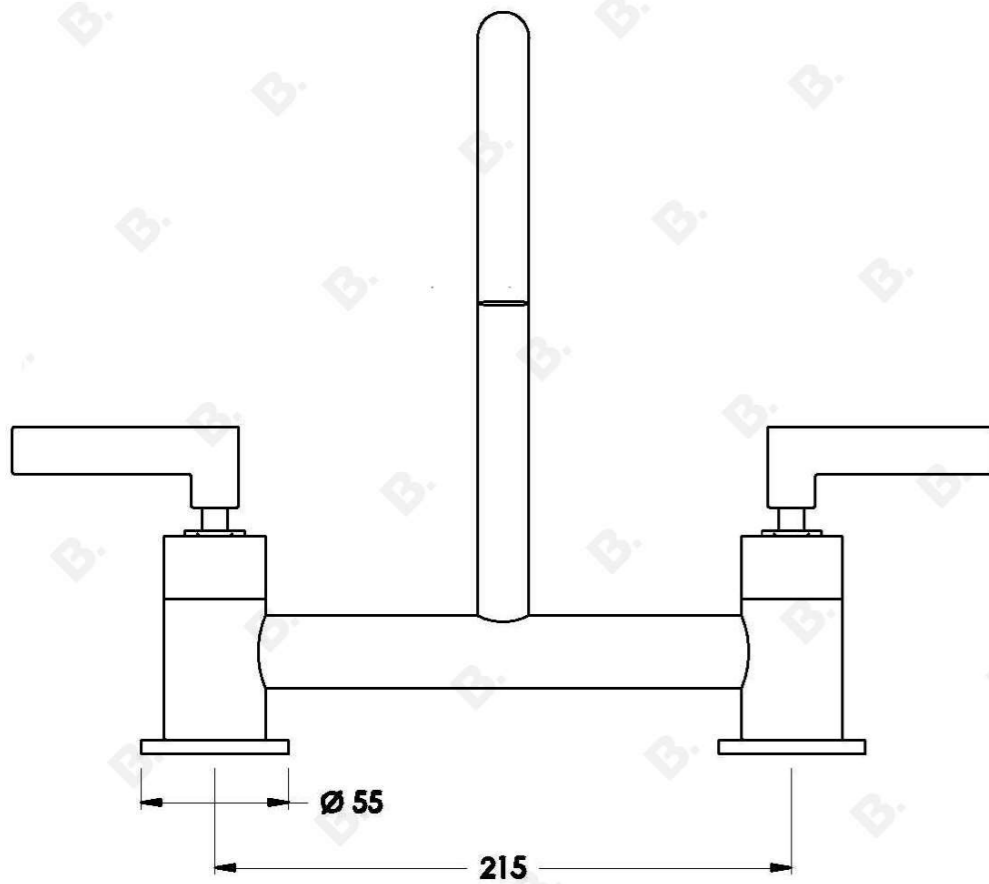
CITY PLUS KITCHEN SET WITH D LEVERS

1.9731.00.7.XX

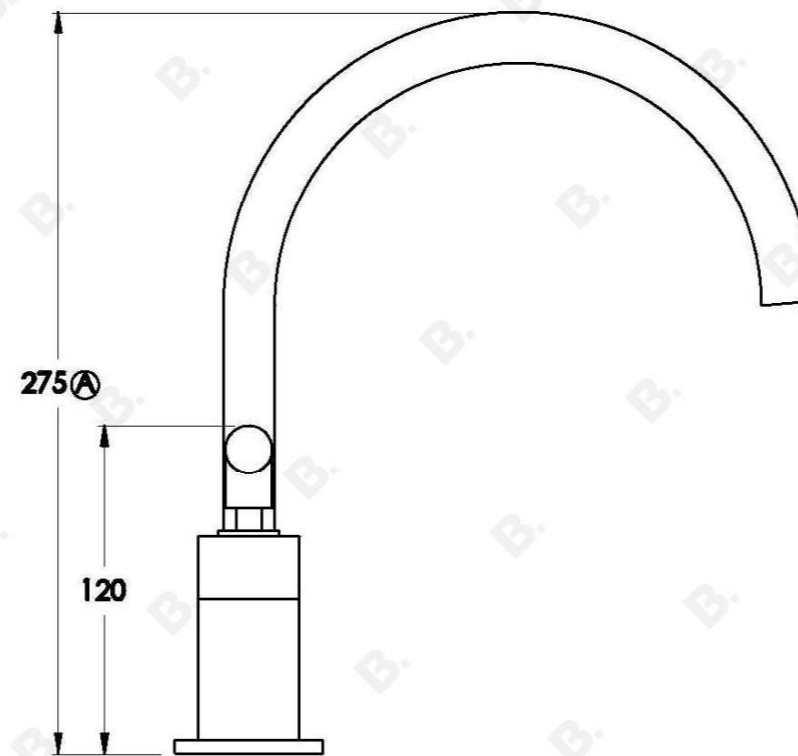


PRODUCT DIMENSIONS:

Front view:



Side view:



Top view:

