

## CITY PLUS BIB TAPS WITH CROSS HANDLES

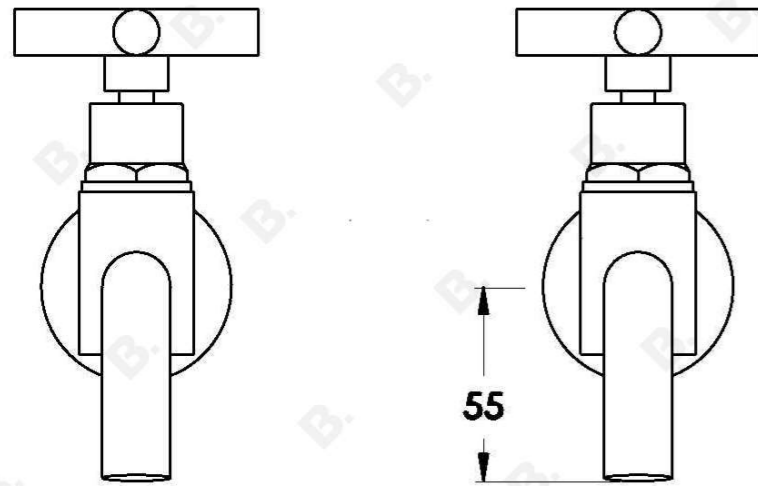
1.9715.00.2.XX

1.9715.50.2.XX - Flow controlled variant

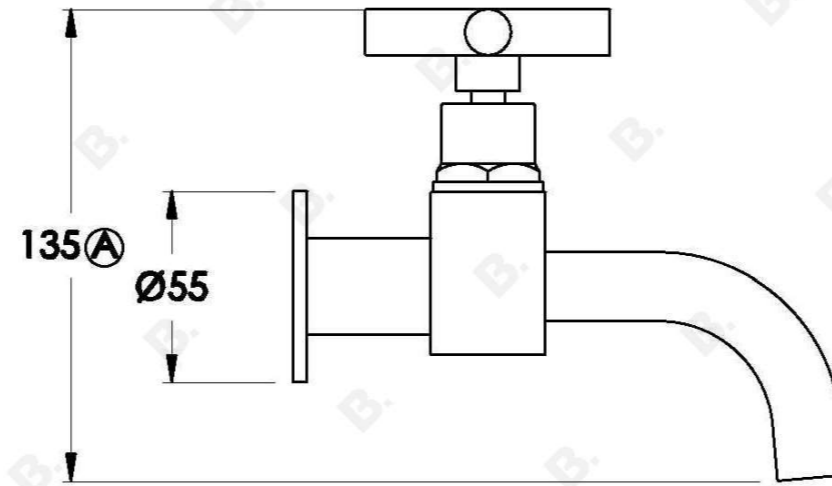


### PRODUCT DIMENSIONS:

Front view:



Side view:



Top view:

