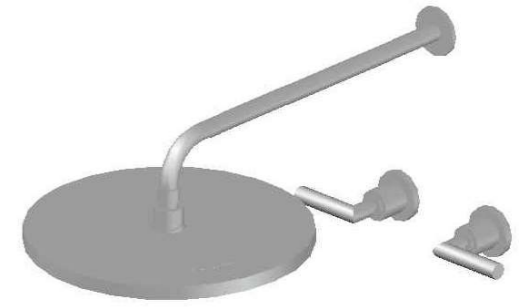


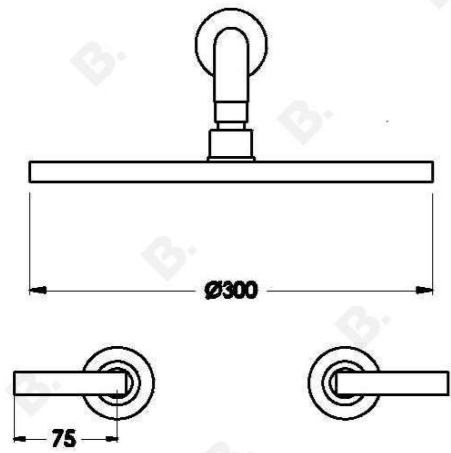
CITY PLUS SHOWER SET WITH 300MM ROSE AND D LEVERS

1.9711.03.7.XX

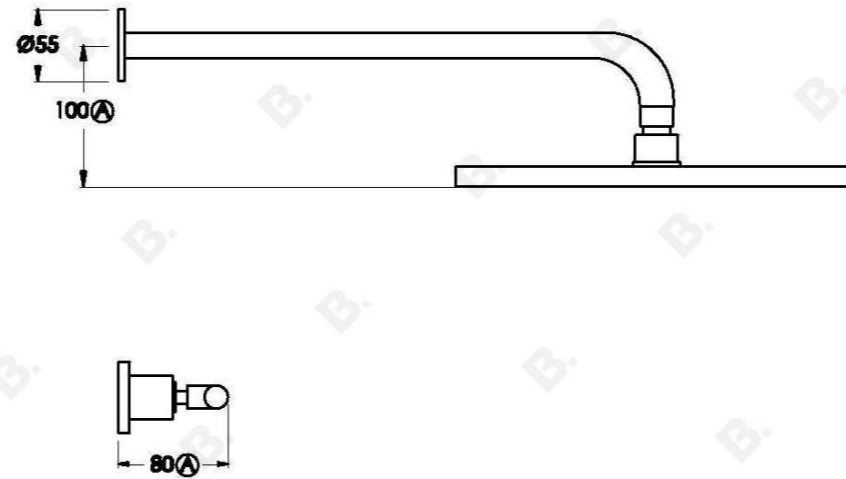


PRODUCT DIMENSIONS:

Front view:



Side view:



Top view:

