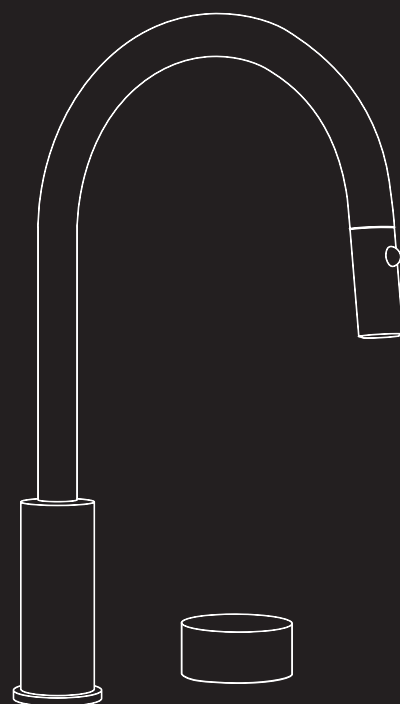
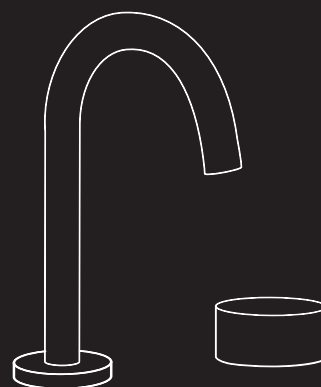
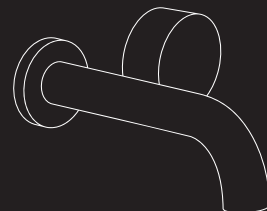


PROGRESSIVE MIXER INSTALLATION INSTRUCTIONS

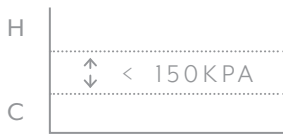
SUITABLE FOR 1.9500.96, 1.9500.97, 1.9507.94, 1.9707.96, 1.9547.02
1.9505.94, 1.9506.94, 1.9528.94 & 1.9547.00



IMPORTANT INFORMATION

PRE-INSTALLATION NOTES:

- All tapware and showers to be installed by a licensed plumber and to Australian Standards. Fit tempering and pressure reduction valves where required. Flush water lines before fitment to avoid damage to valve.
- Water temperature is not to exceed 50°C as per AS3500
- Water pressure is not to exceed 500kPa as per AS3500
- Pressure difference: Hot - Cold water pressure difference is not to exceed 150kPa. This product is designed to work on high pressure systems only.



ADDITIONAL NOTES FOR INSTALLER:

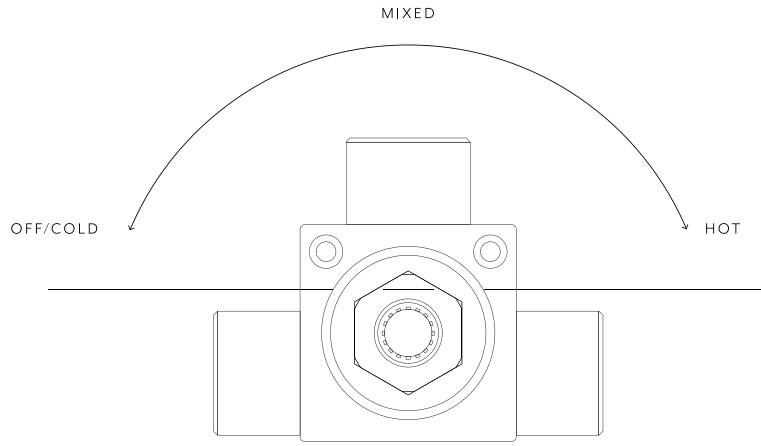
- With the handle fully rotated anti-clockwise, the unit is shut off. When the handle begins to rotate clockwise it begins to feed cold water. When the handle progresses to the middle, the hot water begins to mix. With the handle fully rotated clockwise, only hot water will be supplied. (refer to figure A)
- For servicing of the cartridge, turn off the water supply, unscrew the locknut from on top of the cartridge and remove the cartridge. Do not over tighten the locknut when reinstalling. The locknut should be tightened firmly, but not excessively.
- All tapware and plumbing must be tested before sheeting off/concealing, as per AS3500. This includes independently testing the hot and cold operation of the mixer.
- Water pressure must not exceed 500kpa as per AS3500, or the product will not be warranted.
- Ensure wall sheeting and tiles have a Ø40mm hole around the mixer to allow for future servicing.
- With the handle fully rotated anti-clockwise, the unit is shut off. When the handle begins to rotate clockwise it begins to feed cold water. When the handle progresses to the middle, the hot water begins to mix and the flow increases. With the handle fully rotated clockwise, only hot water will be supplied. (refer to figure B)
- For servicing of the cartridge, turn off the water supply, unscrew the locknut from on top of the cartridge and remove the cartridge. Do not over tighten the locknut when reinstalling. The locknut should be tightened firmly, but not excessively.
- All tapware and plumbing must be tested before sheeting off/concealing, as per AS3500. This includes independently testing the hot and cold operation of the mixer.
- Water pressure must not exceed 500kpa as per AS3500, or the product will not be warranted.
- Ensure wall sheeting and tiles have a Ø40mm hole around the mixer to allow for future servicing.
- If hammer is apparent, all possible measures are to be taken, including but not limited to, correct and secure fixing of pipework, keeping the length of the pipework on the outlet as short as possible and the fitting of outlets that have a high star rating
- Check operation and test for leaks before plastering or tiling and refit tiling sleeve. Seal around bodies to prevent water penetration into wall
- On completion of tiling remove tiling sleeve and fit dress ring. Fit handle and secure with grub screw.
- **All plumbing must be tested for pressure & functionality before concealing/sheeting off as per AS3500.**

WALL MOUNT INSTALLATION GUIDE

INSTALLATION INSTRUCTIONS:

1. Ensure that the mixer body is installed with a distance of 53mm to 64mm from back of body to finished face (refer to figure B)
2. As per figure C, the hot feed port is on the left, the cold feed port is on the right and the outlet port is pointing up. The mixer body should always be installed with the outlet port pointing up.
3. Flush water lines. Connect plumbing to mixer body. Ensure that the locknut for the cartridge is tight. Pressure test as per AS3500.
4. After sheeting off and tiling, fit the handle spacer to the handle and push back into the wall. Measure the distance between the handle and the wall and cut the spindle to this length. Fit the handle and spacer to the spindle and fit it back to wall.
5. Please refer to the wall mixer instruction booklet for all other technical information.

FIGURE A:



MIXER HANDLE OPERATION

FIGURE B:

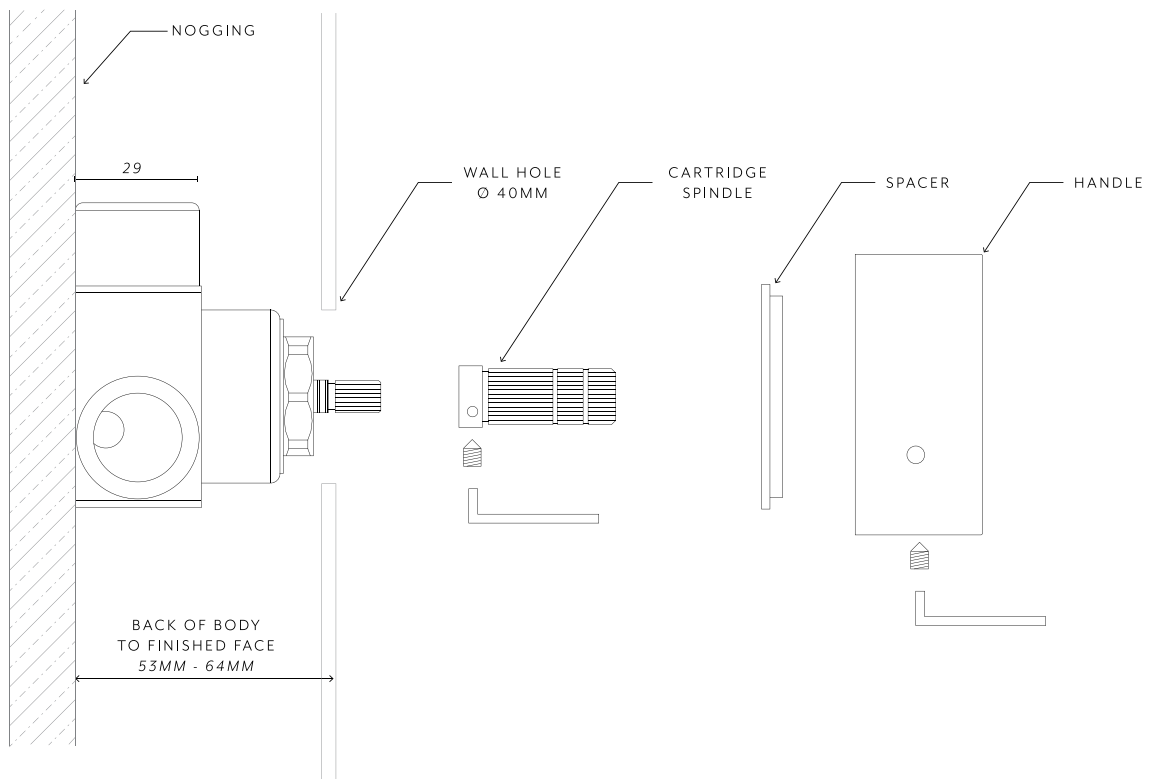
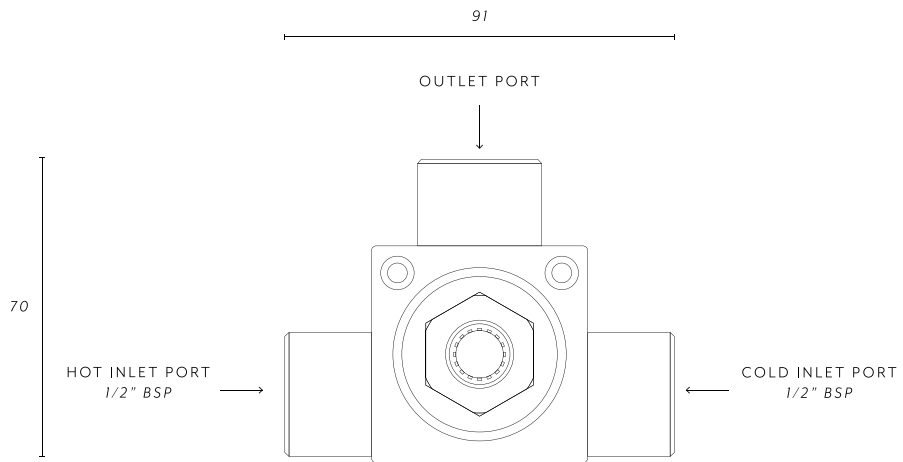


FIGURE C:

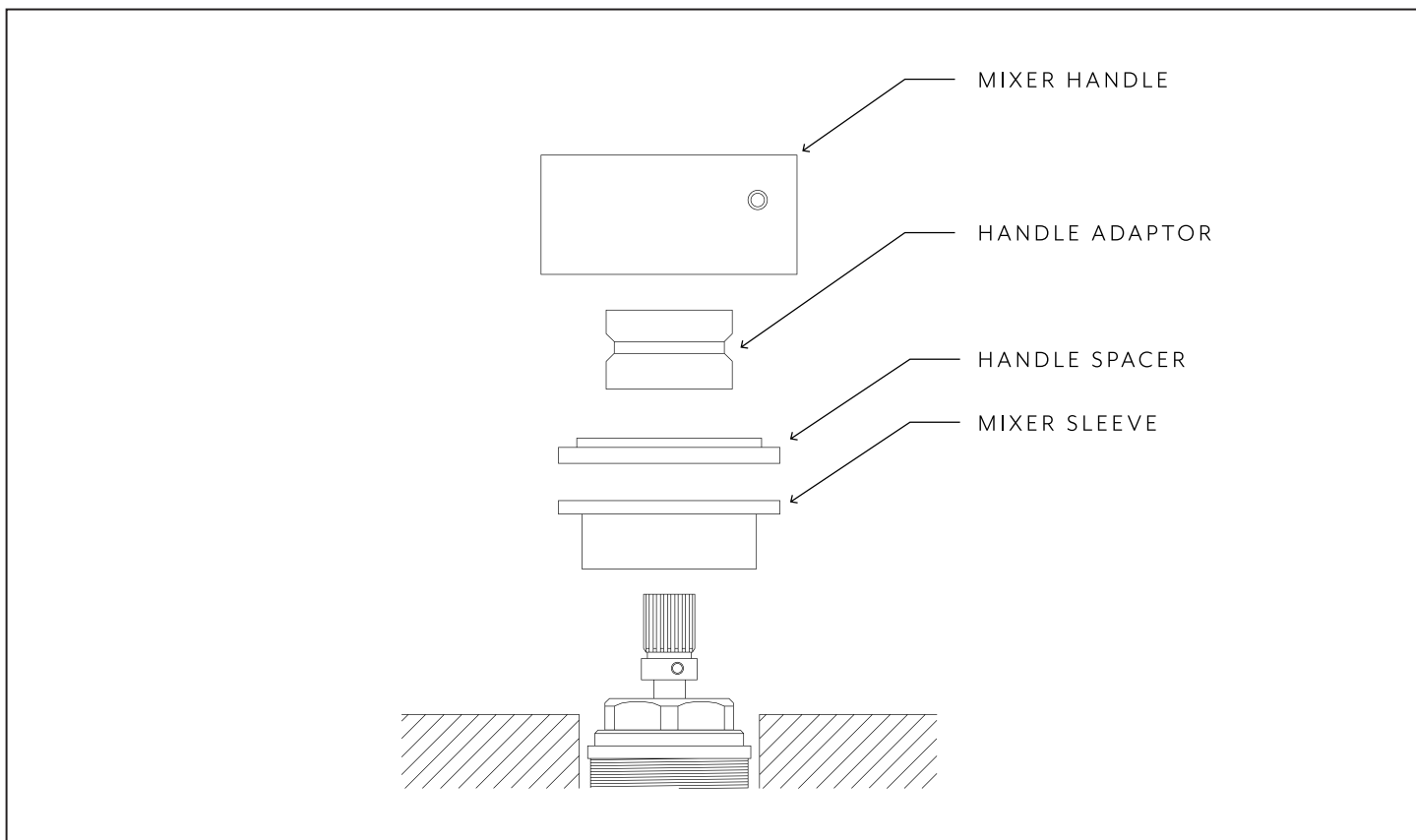
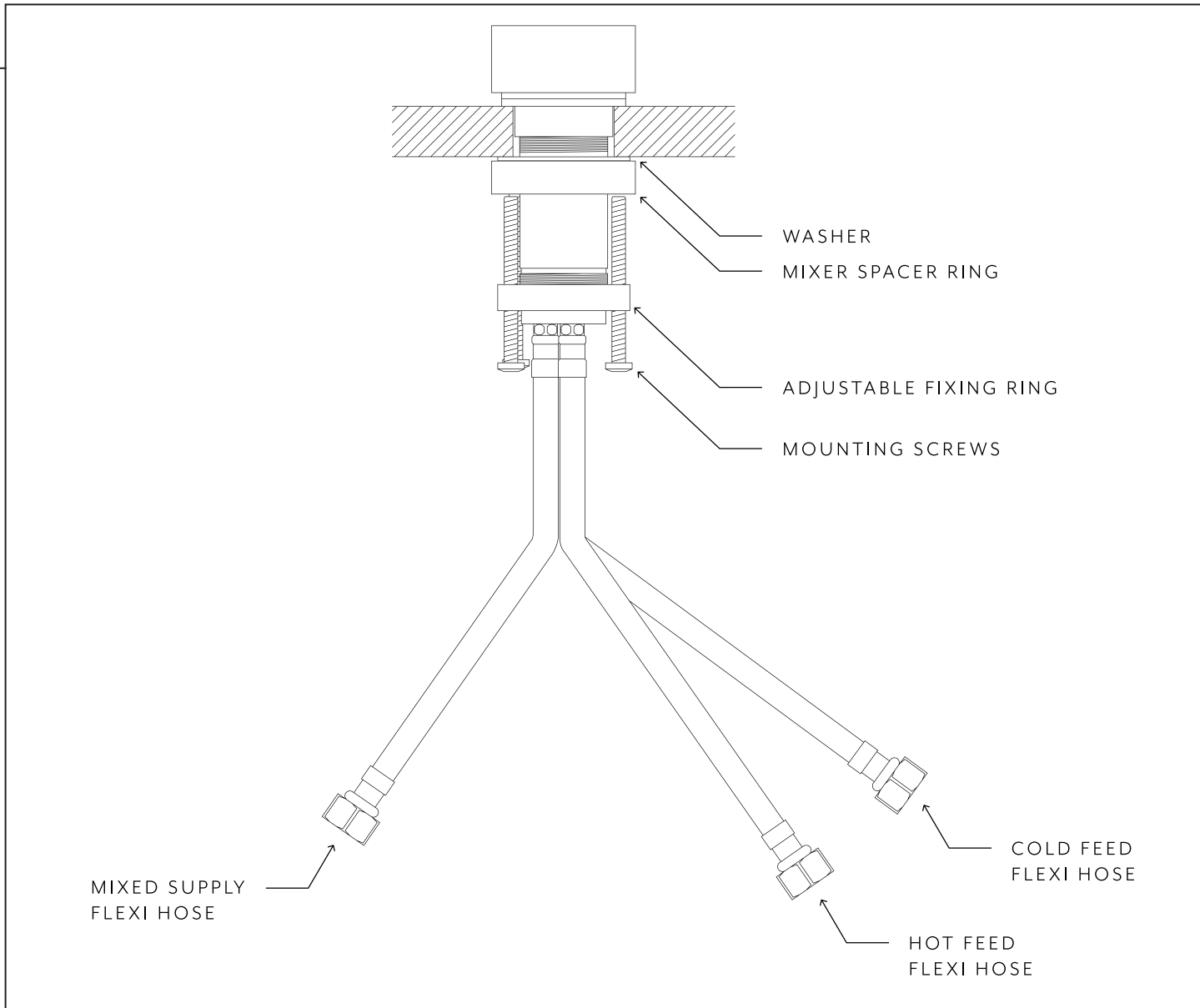


MIXER BODY INSTALLATION ORIENTATION

HOB MOUNT INSTALLATION GUIDE

MIXER INSTALLATION INSTRUCTIONS:

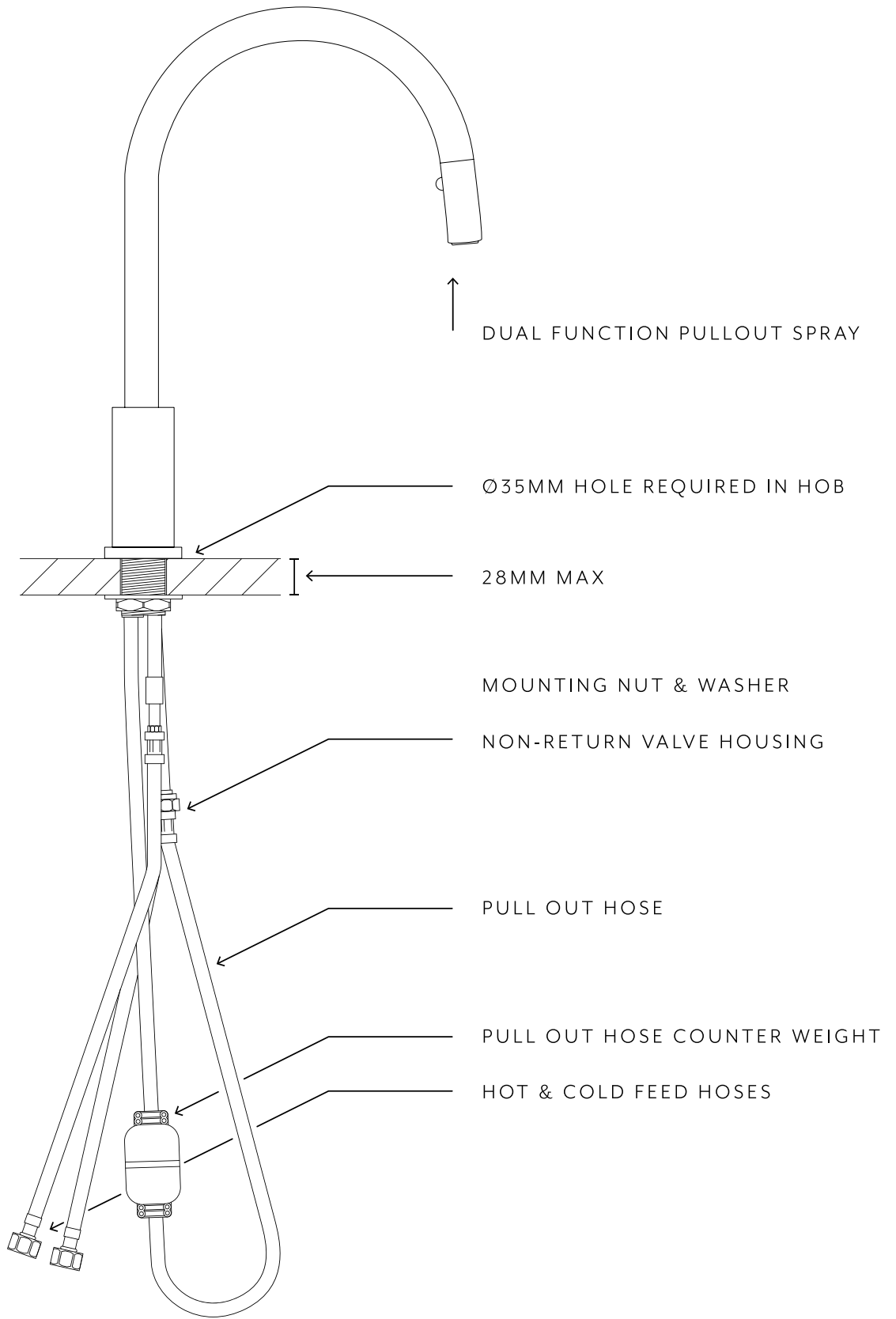
1. Ensure that you have access to the hob cavity.
2. A Ø46mm hole is required in the hob to fit the mixer body.
3. A ½" BSP male hot and cold water feed points should be installed inside the hob cavity, near the installation point of the mixer
4. Remove the mixer handle, handle spacer and mixer sleeve.
5. From the under side, feed the mixer body with the washer and space up through the hole in the hob. Screw down the mixer sleeve from the top side.
6. Screw the adjustable fixing ring hand tight to the under side. Tighten up the 3 mounting screws firmly to the mixer space ring. Check for rigidity.
7. Connect the cold and hot water flexi hoses to the water feed points. Connect the mixed supply flexi hose to the outlet.
8. Refit the handle spacer and mixer handle to the top side of the mixer body.
9. Test for leaks and operational functionality.



PULLOUT SPOUT INSTALLATION GUIDE

INSTALLATION INSTRUCTIONS:

1. Ensure you have 550mm vertical clearance under the hob to accommodate for the pullout hose system.
2. Make sure that all lines have been properly flushed. Ensure that the static water pressure is not above 500kpa as per AS3500. If the pressure exceeds this, install pressure limiting valves. Failure to do so will compromise the warranty.
3. Ensure that the hole size in the bench is 35mm in diameter.
4. Remove the mounting nut and washer from the mixer assembly.
5. Slide the mixer through the top side of the bench. Refit and tighten mounting nut and washer to the underside of the bench.
6. Check and test the pull out hose and ensure that it can be pulled out freely and easily, without getting caught.
7. Connect the hot and cold hoses to the stop cocks under the bench. Once secured tightly, turn them both on.
8. Check the mixer for general functionality and that the spray head works correctly.



IC4PM 200311



@BRODWARE



+61 1300 800 300



ENQUIRIES@BRODWARE.COM



PINTEREST.COM.AU/BRODWARE



LINKEDIN.COM/COMPANY/BRODWARE

B.