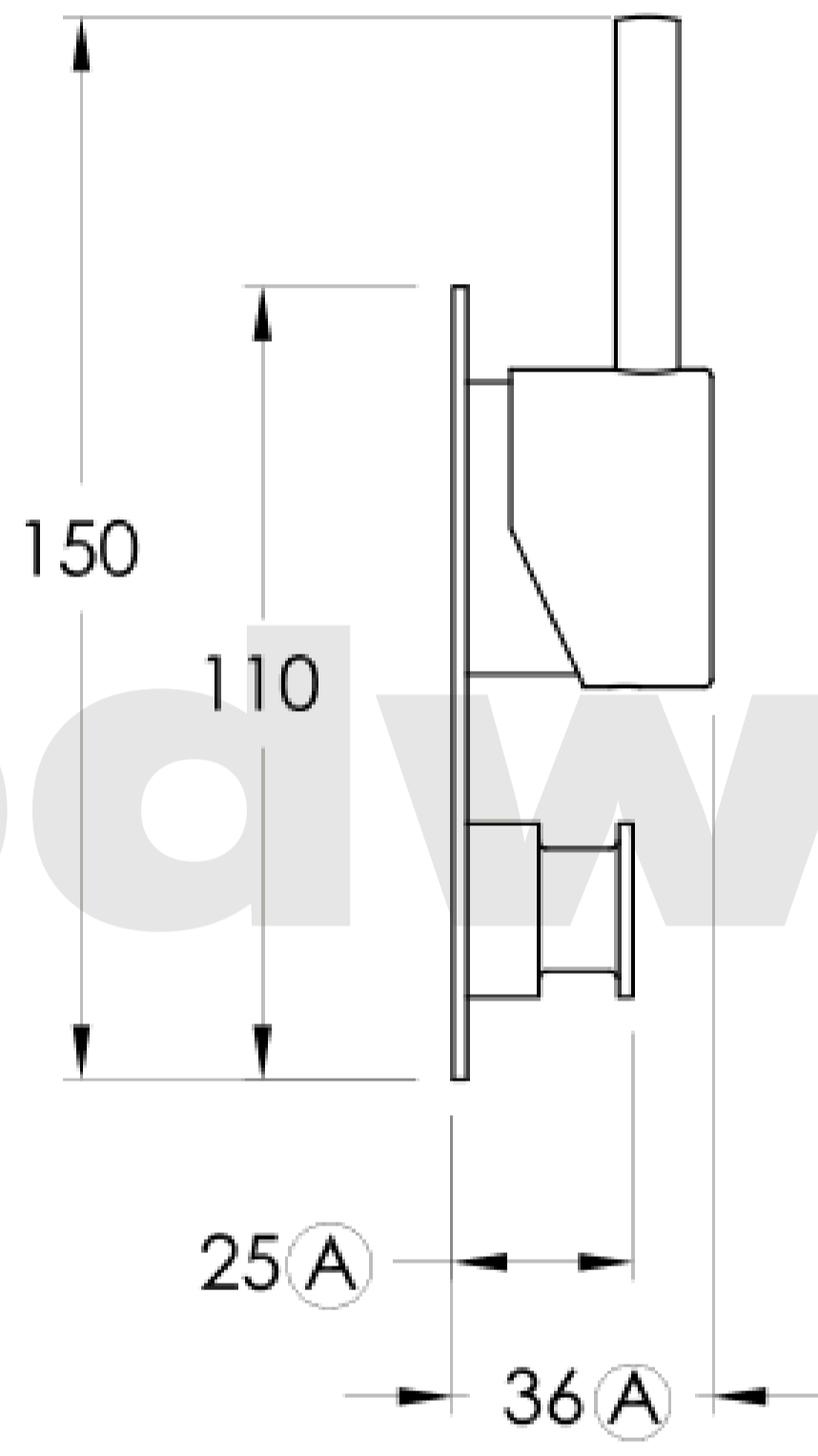


Brodware



Ⓐ Approximate distance

**BROLIFE STIK**

**2.1948.05.0.XX**

XX Indicates finish  
Manufacturing engineers of quality commercial and residential fittings  
Dimensions subjects to change without notice. All dimensions are approximate  
Copyright © Brodware Pty Ltd 2016. www.brodware.com

**Brodware**