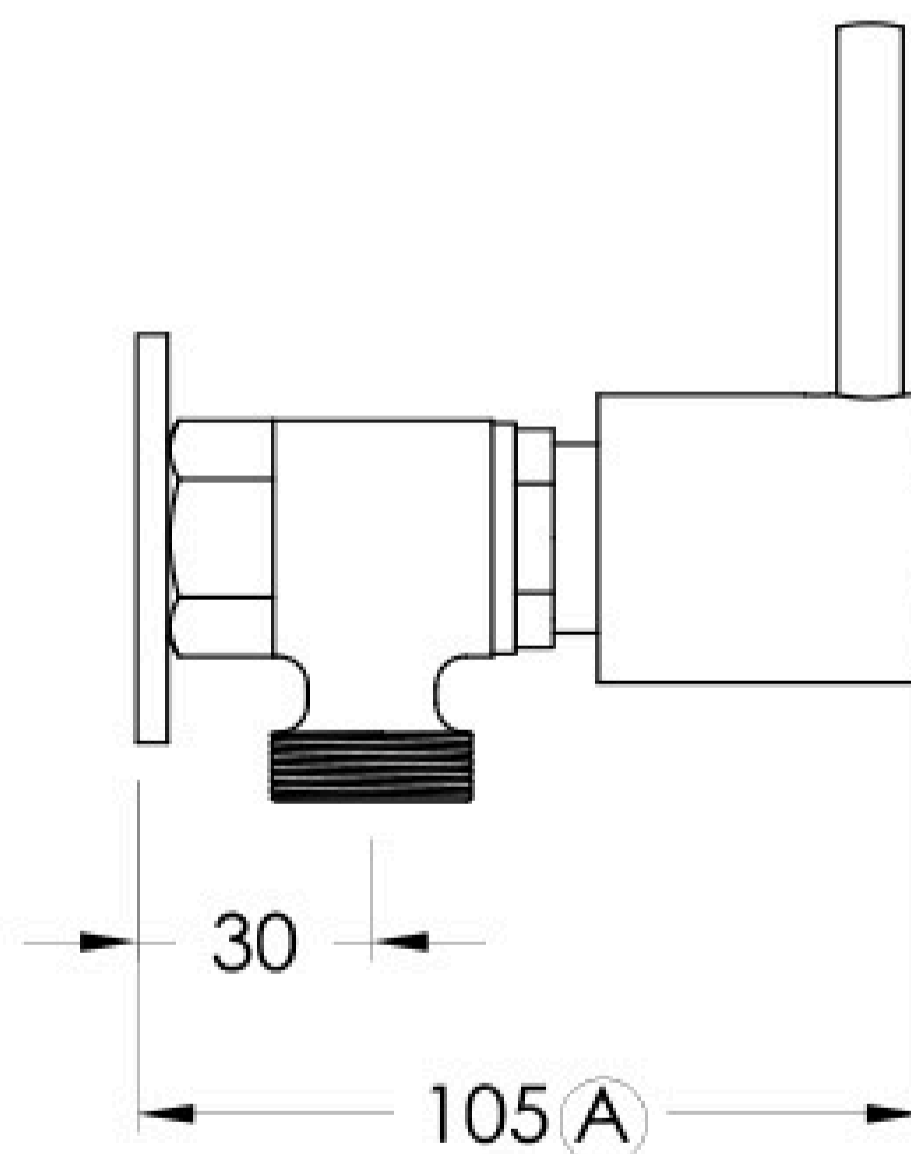


Brodware



(A) Approximate distance

BROLIFE STIK

2.1944.20.3.XX

XX Indicates finish
Manufacturing engineers of quality commercial and residential fittings
Dimensions subjects to change without notice. All dimensions are approximate
Copyright © Brodware Pty Ltd 2016. www.brodware.com

Brodware