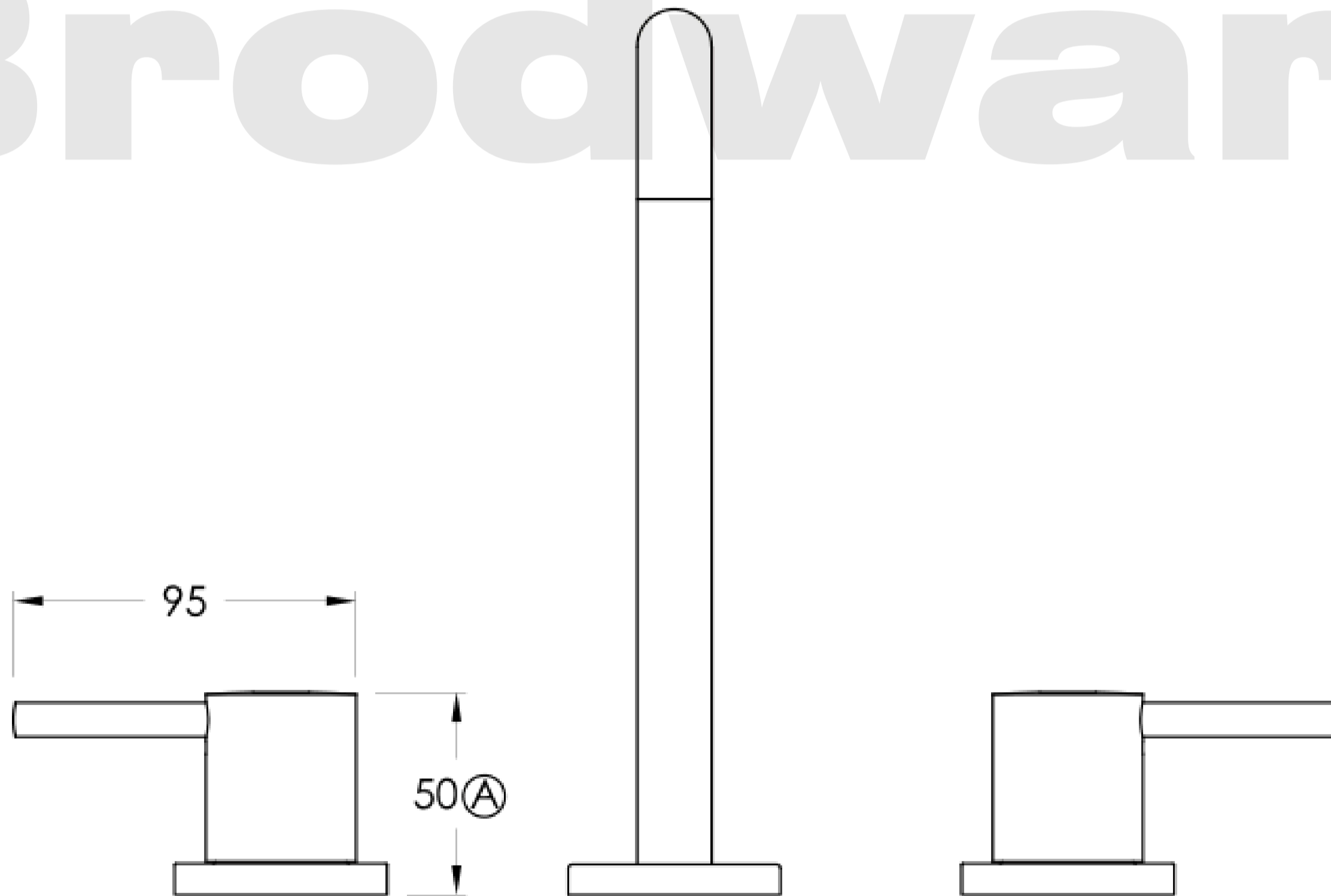


Brodware



(A) Approximate distance

**BROLIFE STIK**

**2.1907.89.3.XX**

XX Indicates finish  
 Manufacturing engineers of quality commercial and residential fittings  
 Dimensions subjects to change without notice. All dimensions are approximate  
 Copyright © Brodware Pty Ltd 2016. www.brodware.com

**Brodware**