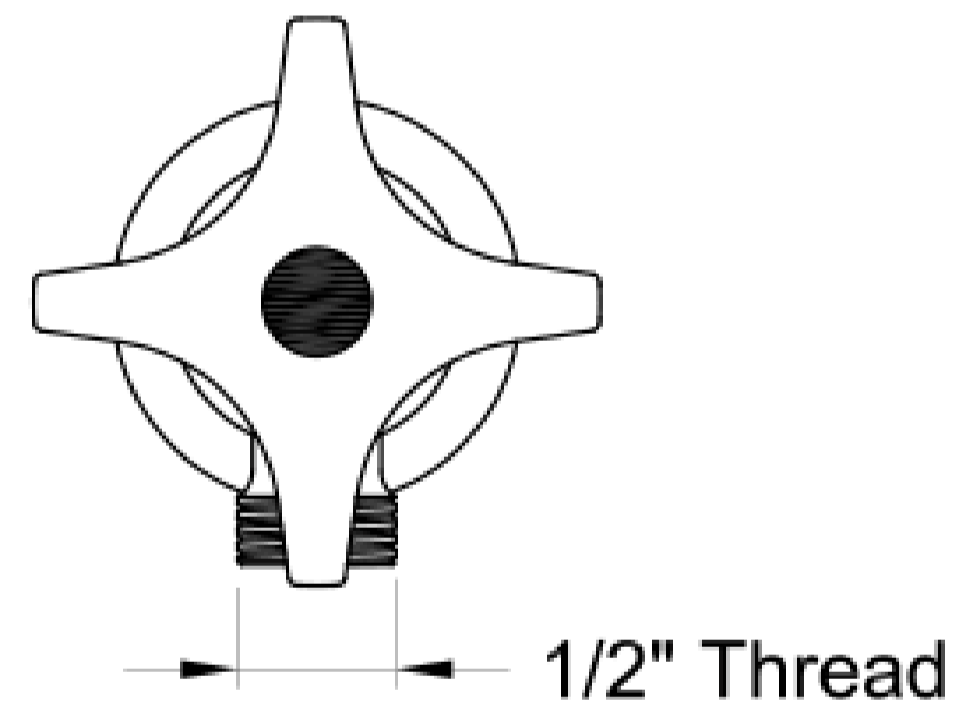
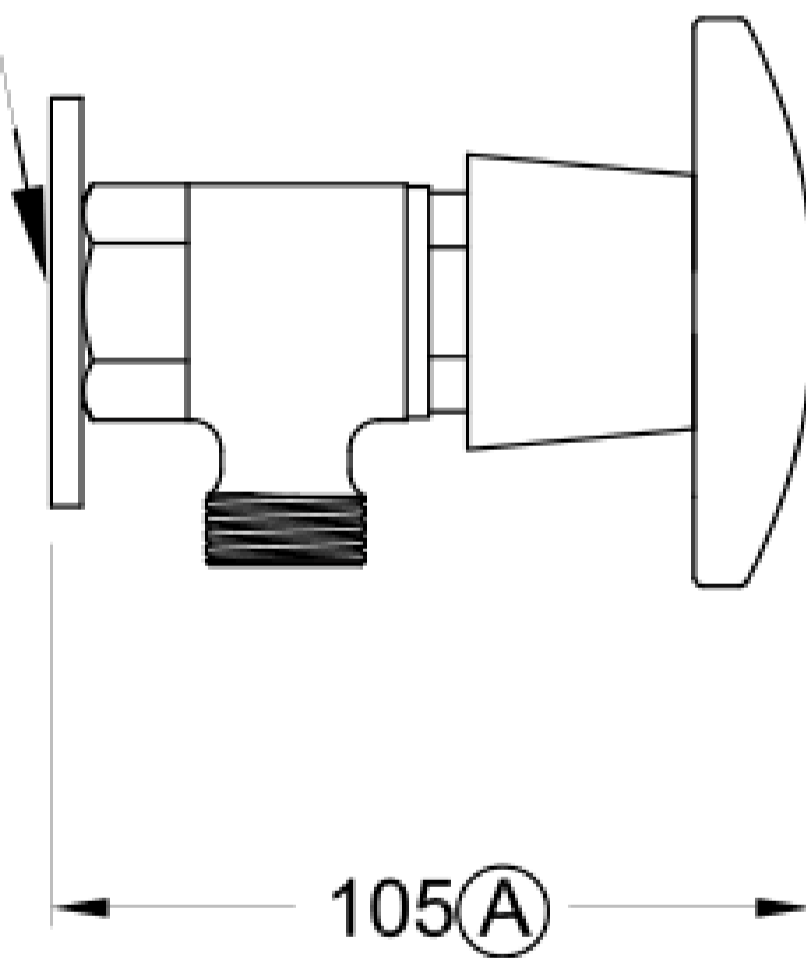


Brodware

1/2" BSP



A Approximate distance

BROVITAL X

2.1445.00.2.XX

XX Indicates finish
 Manufacturing engineers of quality commercial and residential fittings
 Dimensions subjects to change without notice. All dimensions are approximate
 Copyright © Brodware Pty Ltd 2016. www.brodware.com

Brodware