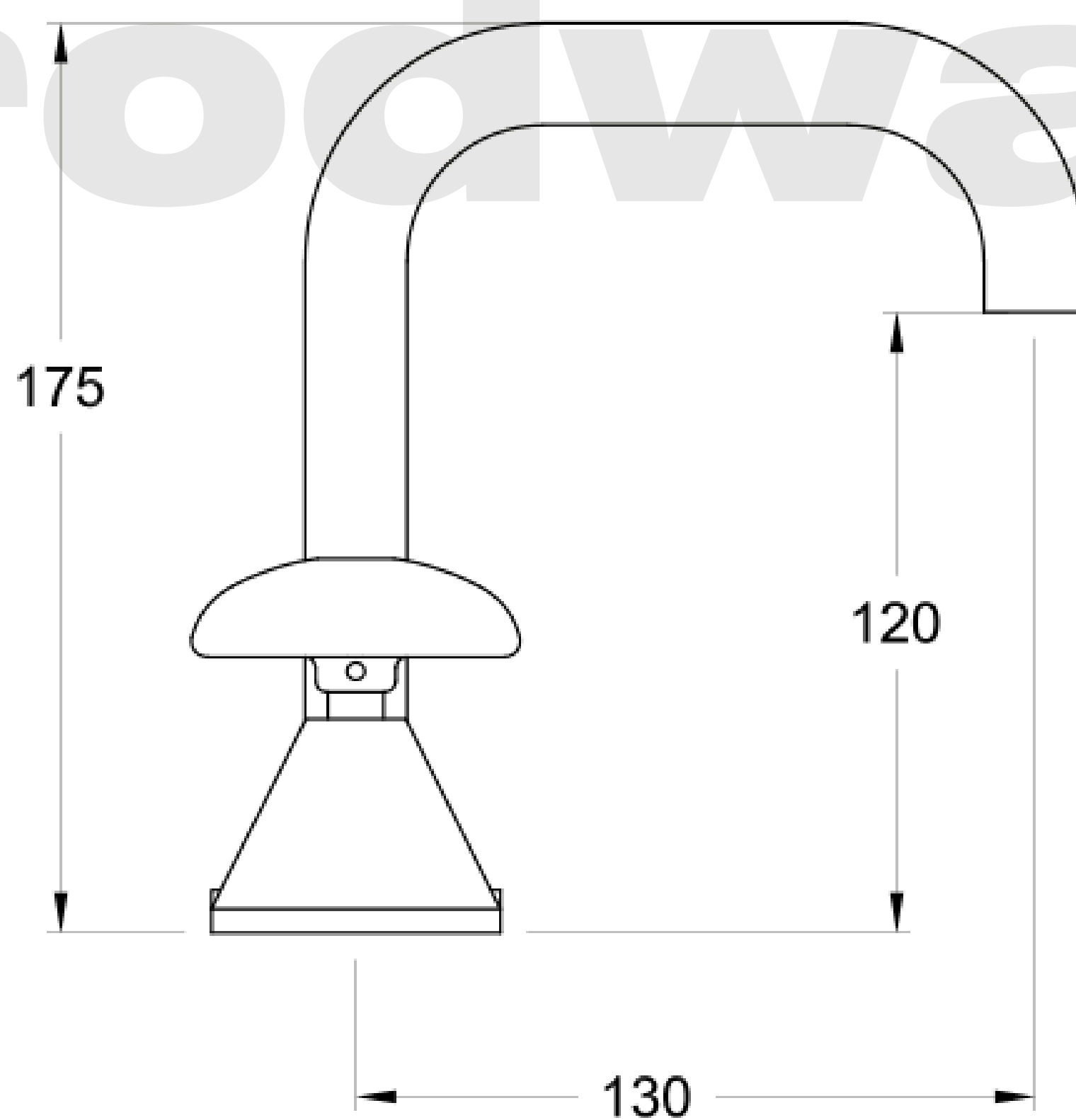


Brodware



**BROVITAL SCHOOL**

**2.1300.80.3.XX**

XX Indicates finish  
Manufacturing engineers of quality commercial and residential fittings  
Dimensions subjects to change without notice. All dimensions are approximate  
Copyright © Brodware Pty Ltd 2016. [www.brodware.com](http://www.brodware.com)

**Brodware**