

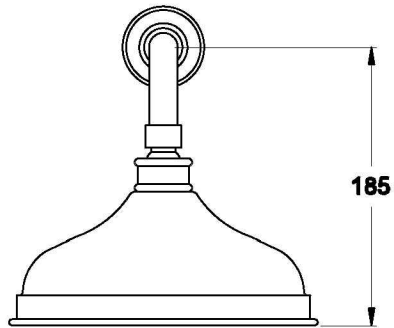
## WINSLOW SHOWER ROSE AND ARM

1.8111.32.0.XX

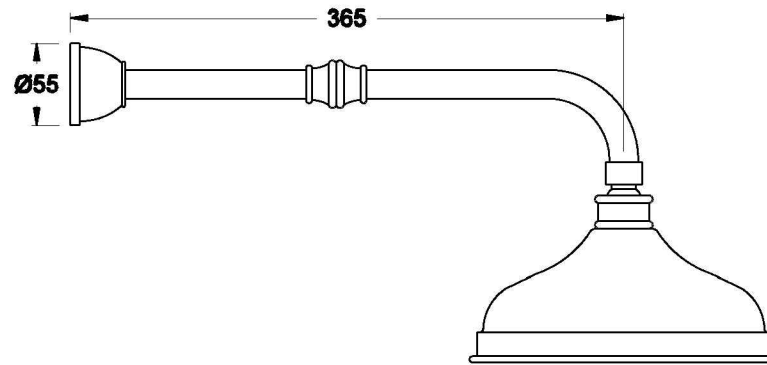


### PRODUCT DIMENSIONS:

Front view



Side view:



Top view:

