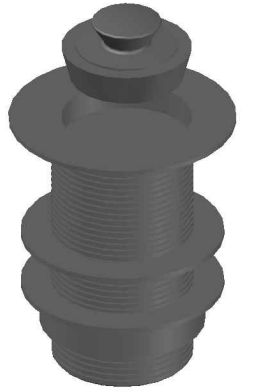


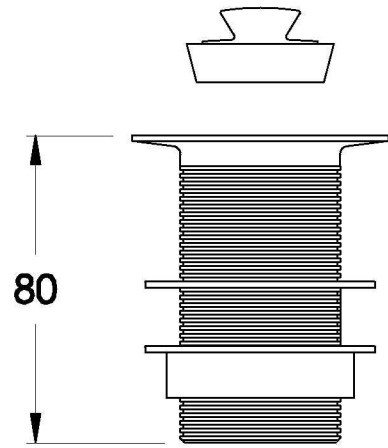
## WASTE & TRAPS

1.7001.00.0.XX

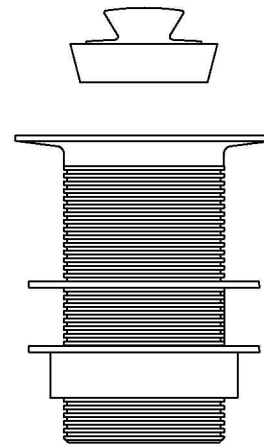


## PRODUCT DIMENSIONS:

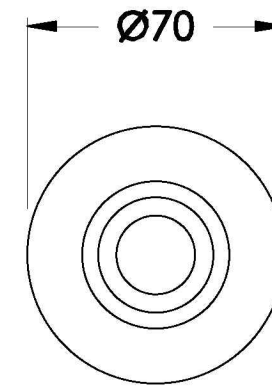
Front view



Side view:



Top view:



Note:  $\text{Ø}42$  - 44mm hole required