

## INDUSTRICA WALL SET WITH METAL LEVER

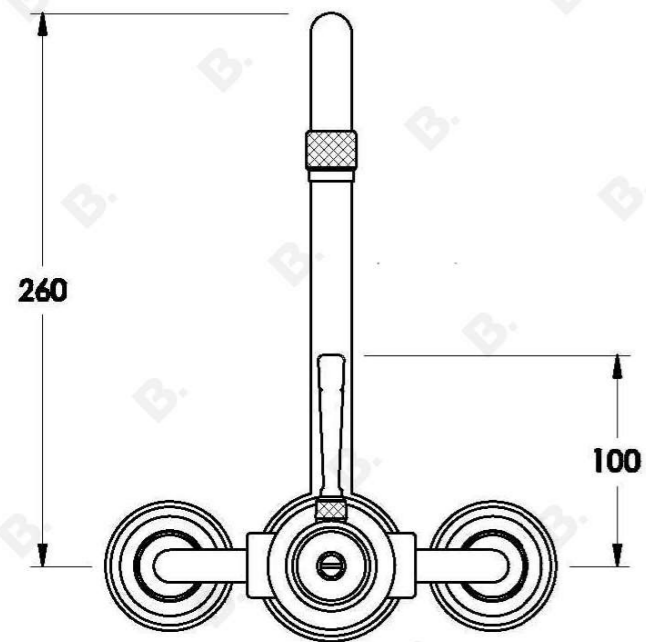
1.6728.80.0.XX

1.6728.58.0.XX: Flow controlled variant

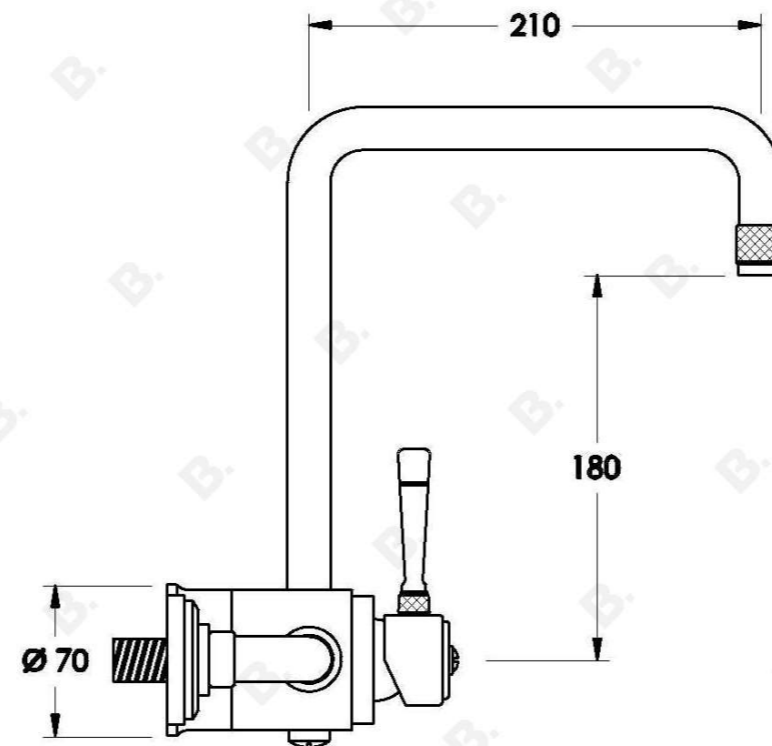


### PRODUCT DIMENSIONS:

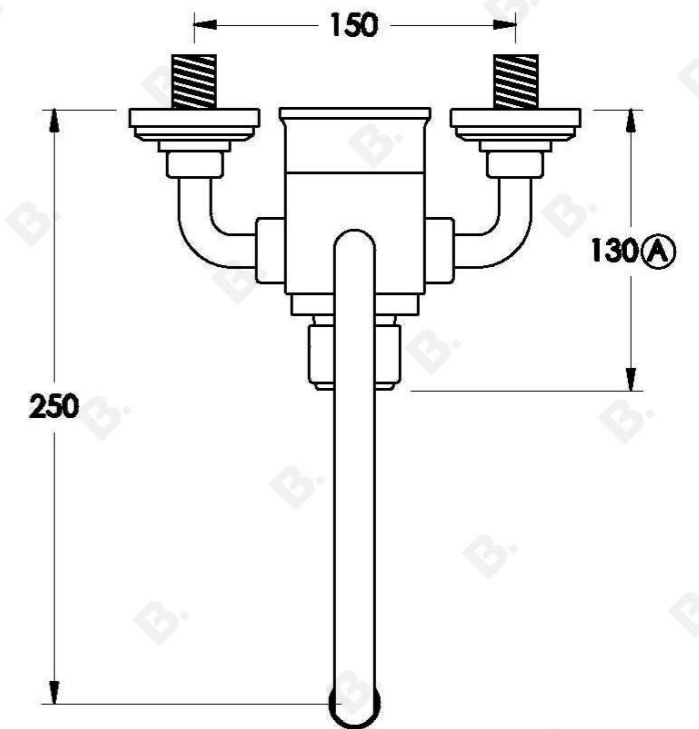
Front view:



Side view:



Top view:



Note: 1/2" BSP female fittings required in the wall